



Quadrifoglio Group

X4

design office

[www.quadrifoglio.com](http://www.quadrifoglio.com)



**WORKTOPS**

**MELAMINE**

25mm easy to clean scratch-resistant anti-reflective melamine faced chipboard (MFC) top finished with 2mm matching straight ABS impact resistant edges. Panel density: 670/730 kgs per cubic meter

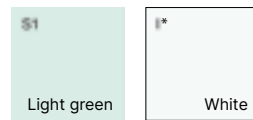
Finish options:



**GLASS**

10mm back-painted tempered safety floating glass top finished with 1.5mm 45° polished edges, 10mm radiused corners. Two ø60mm portholes with painted ABS grommets in chrome (800/1000mm long desks have one grommet only). Glass tops of X4 meeting tables have no portholes as standard.

Finish options:



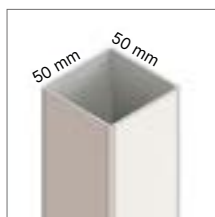
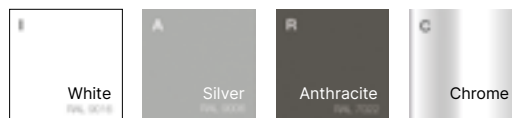
\* Back painted using scratch-resistant ceramic enamels

**METAL FRAME**

Legs and perimeter frame made of epoxy powder coated or chromed steel tube.



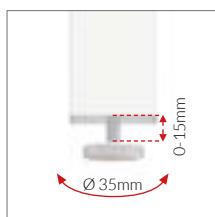
Finish options:



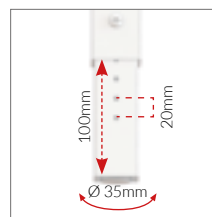
Legs made from 50×50mm 1.5mm steel tube.



Perimeter frame made from 50×20mm 1.5mm steel tube linked together by 100×100mm x 50mm high die-cast aluminium corner mounting brackets.



ø35mm grey polyethylene 0-15mm adjustable levelling feet.



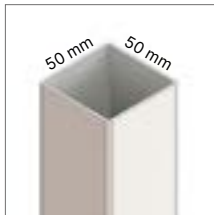
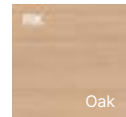
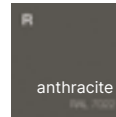
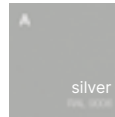
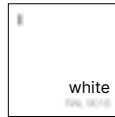
Optional Extra. Height settable telescopic legs adjustable by locking screw fixing. 730 to 830mm high on MFC desks. 715 to 815mm on glass desks. 20mm increments.

**METAL FRAME ON WOODEN LEGS**

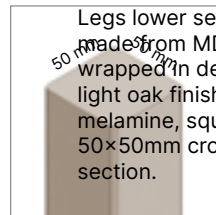
Epoxy powder coated steel end and under top beams. Metal frame on wooden legs:  
 Upper section made from epoxy powder coated steel tube;  
 lower section made from MDF wrapped in decorative light oak finish melamine.



Finish options:



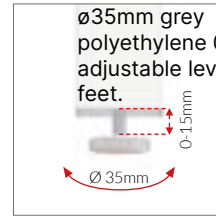
Legs made from 50×50mm 1.5mm steel tube.



Legs lower section made from MDF wrapped in decorative light oak finish melamine, square 50×50mm cross section.

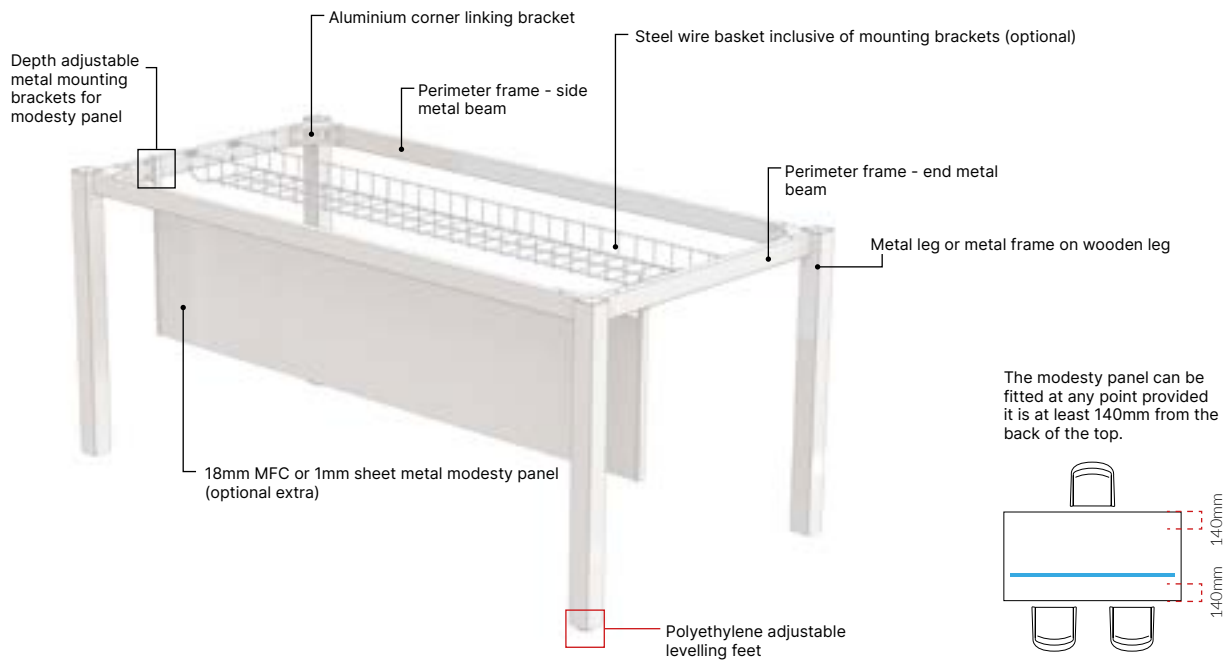


Perimeter frame made from 50×20mm 1.5mm steel tube linked together by 100×100mm x 50mm high die-cast aluminium corner mounting brackets.

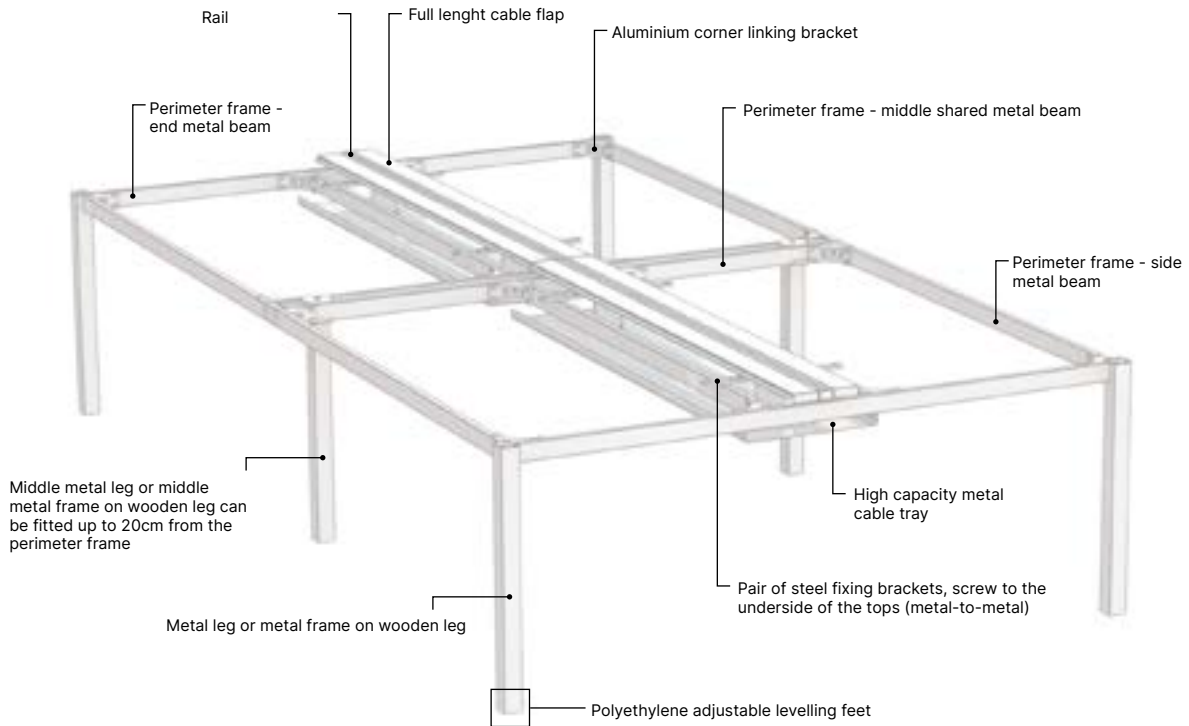


ø35mm grey polyethylene 0-15mm adjustable levelling feet.

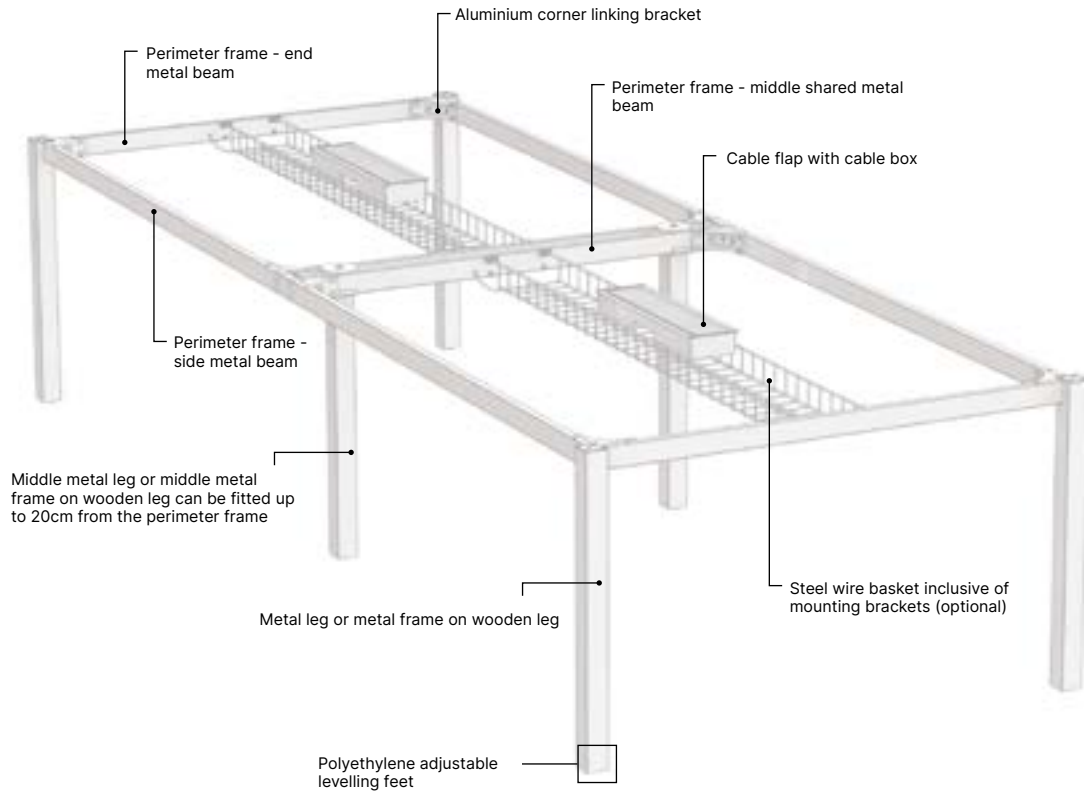
**SINGLE DESKS**



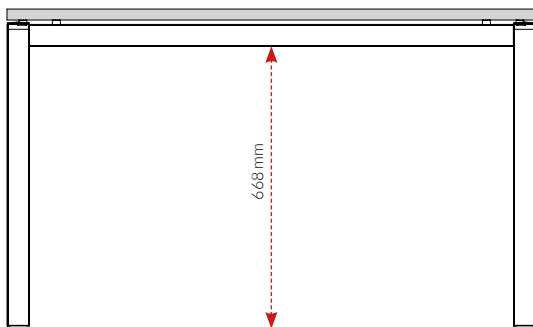
**BENCH DESKS**



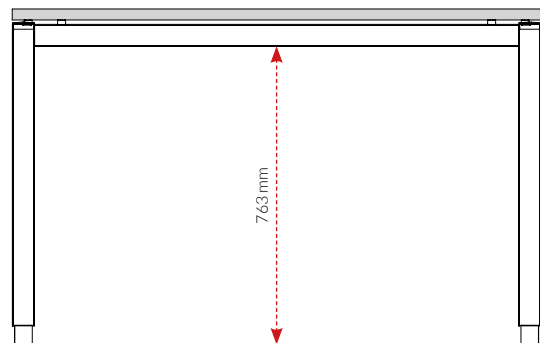
**MEETING/BOARDROOM TABLE**



**USABLE SIZES**



Perimeter frame to floor level



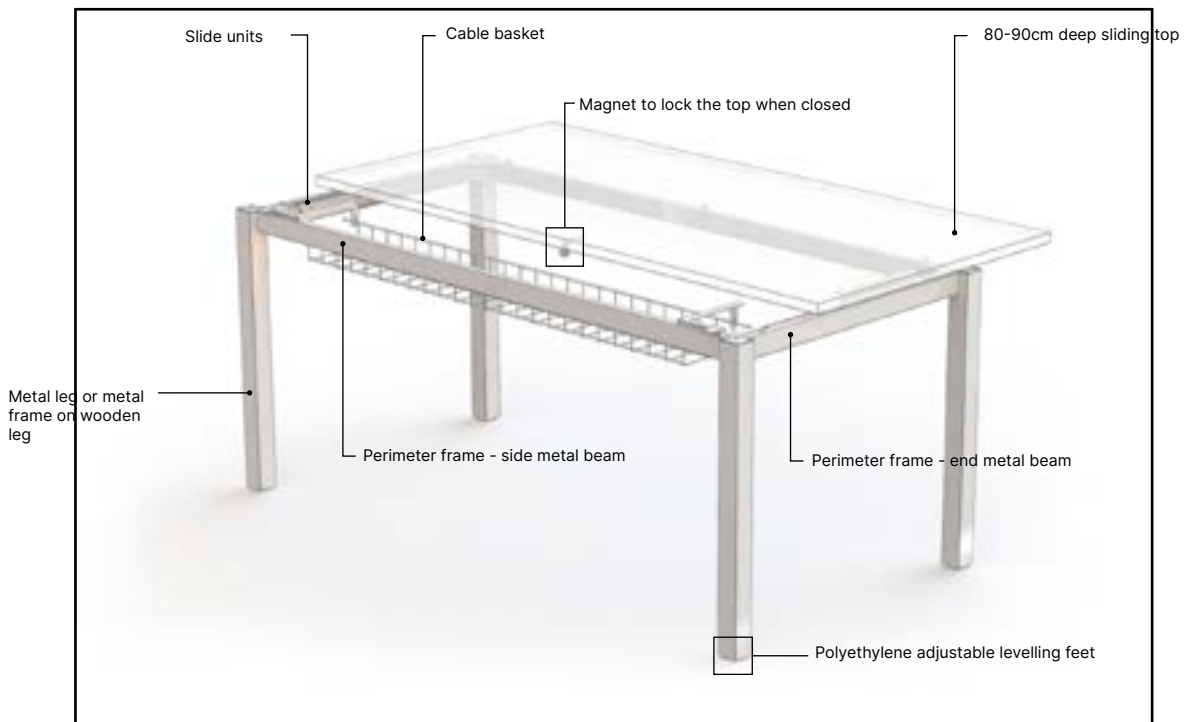
Perimeter frame to floor level using metal height settable legs (max extension)

**SLIDING SYSTEM**

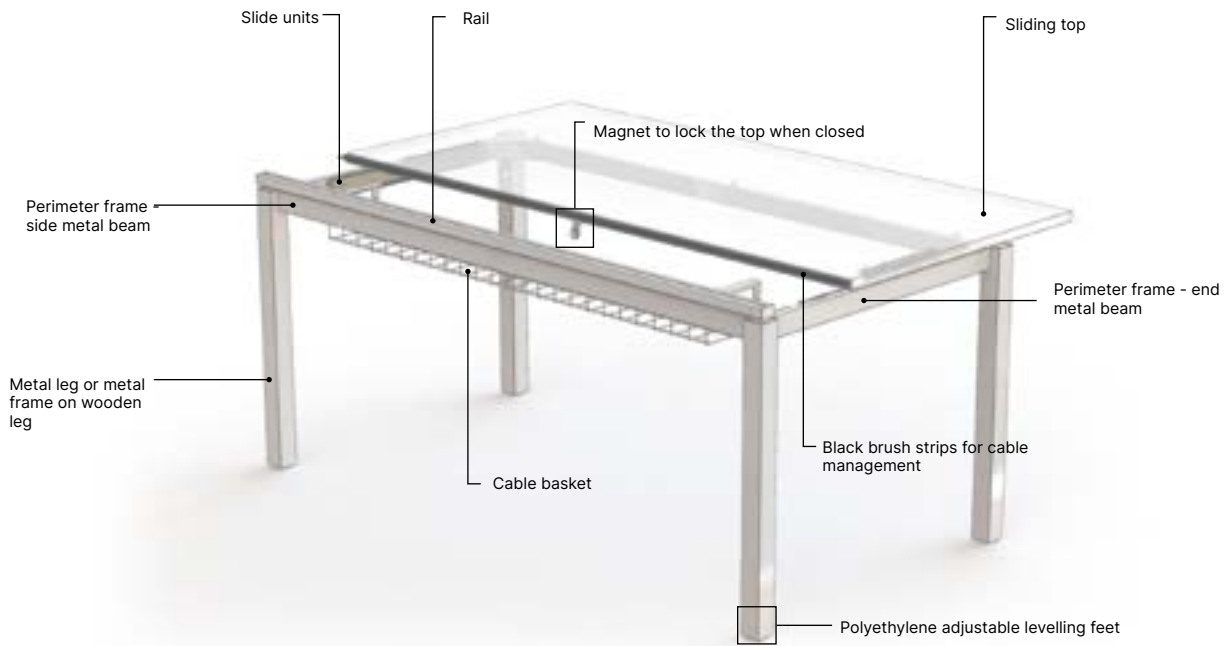
Available for MFC desktops only.  
Sliding tops run up to 245mm in depth for easy cable access.  
Galvanised steel slide units (2mm thick, H.50mm).  
Under top magnet locks the top when closed.



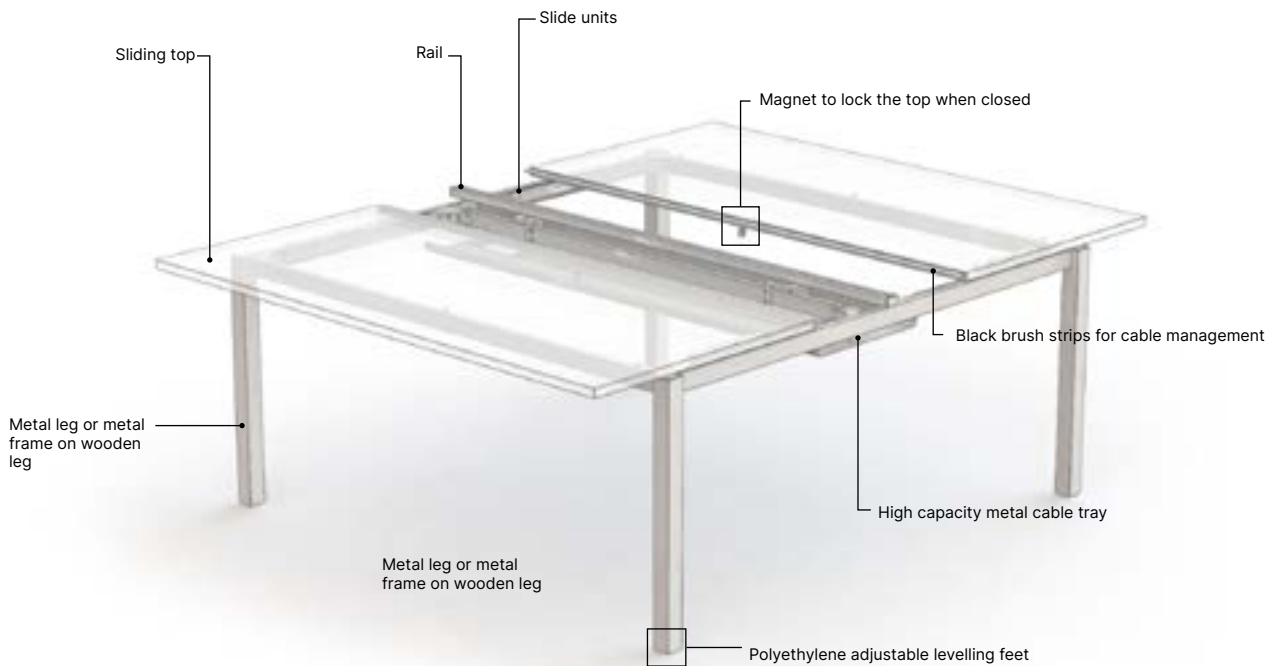
**DESK WITH SLIDING TOP**



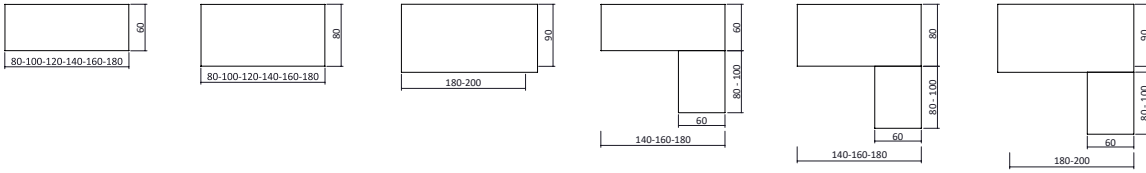
84CM DEEP DESK WITH SLIDING TOP



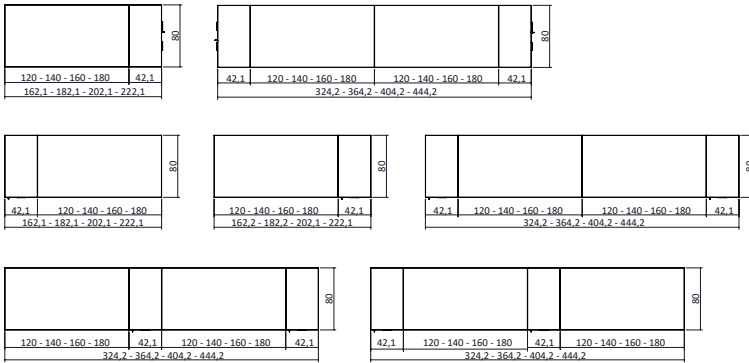
BENCH WITH SLIDING TOP



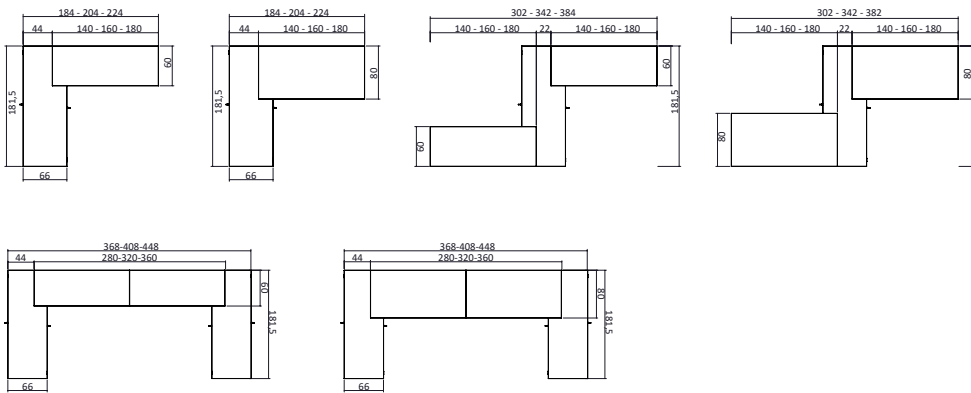
**SINGLE DESKS**



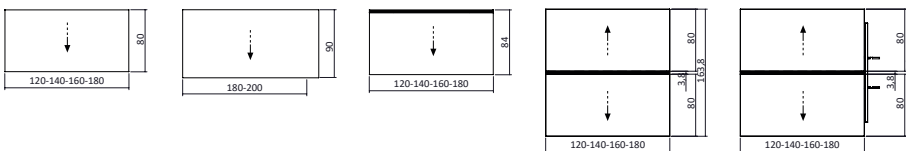
**DESKS WITH INTEGRATED DESK HIGH CABINETS/PEDESTALS**



**DESKS SUPPORTED ON LOW CREDENZA UNITS**

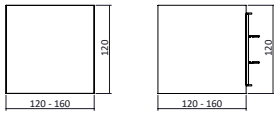


**DESKS AND BENCH WITH SLIDING TOPS**

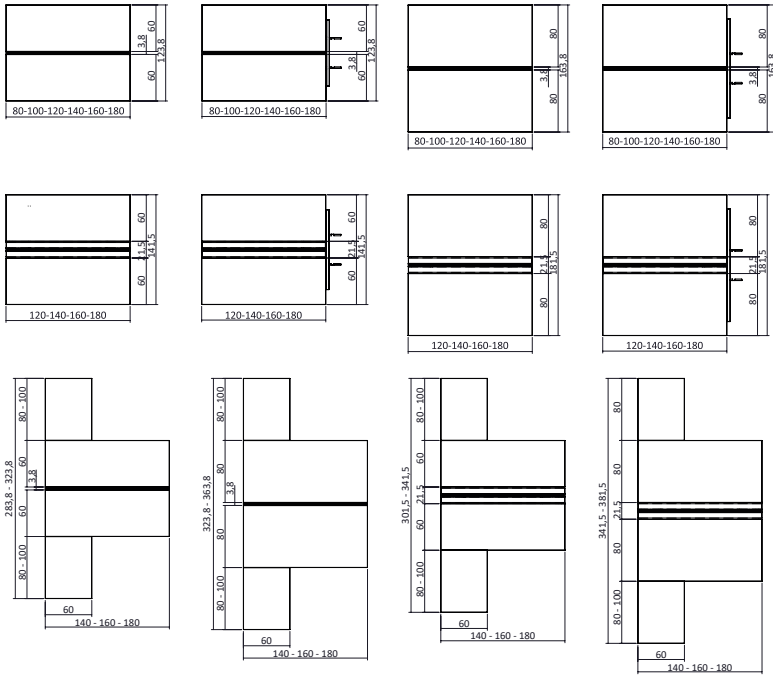




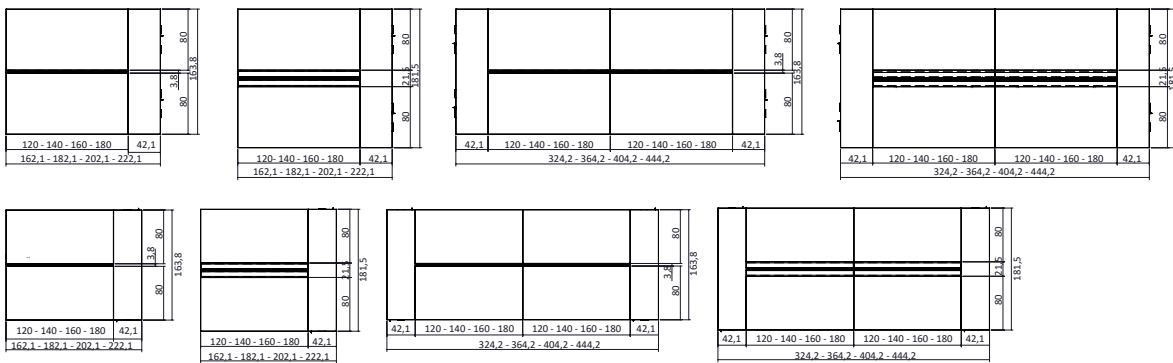
MEETING TABLES



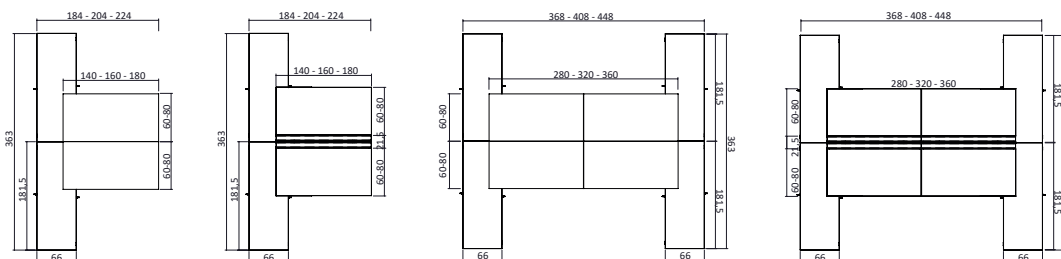
BENCH DEKS



BENCH DESKS WITH INTEGRATED DESK HIGH CABINETS/PEDESTALS



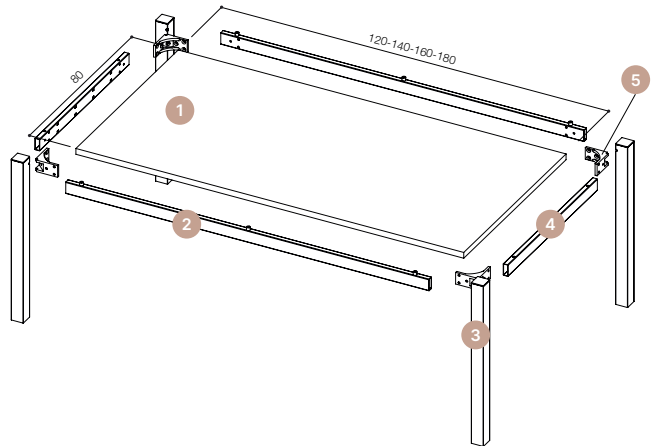
BENCH DESKS SUPPORTED ON LOW CREDENZA UNITS



DESKS

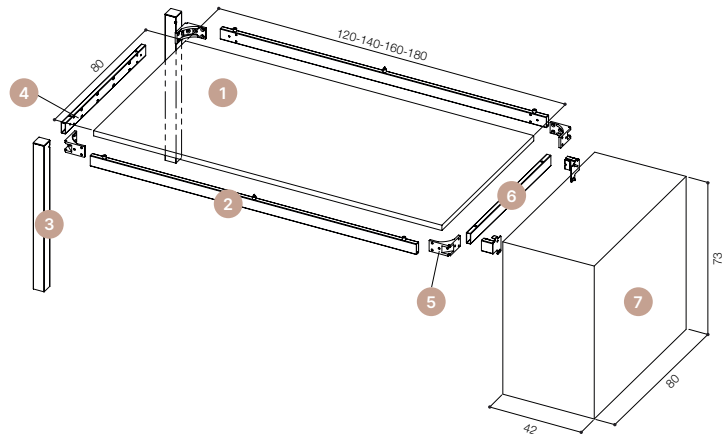
**SINGLE DESKS**

- 1) 25mm desktop
- 2) Side beam
- 3) X4 leg
- 4) End beam
- 5) Corner linking bracket



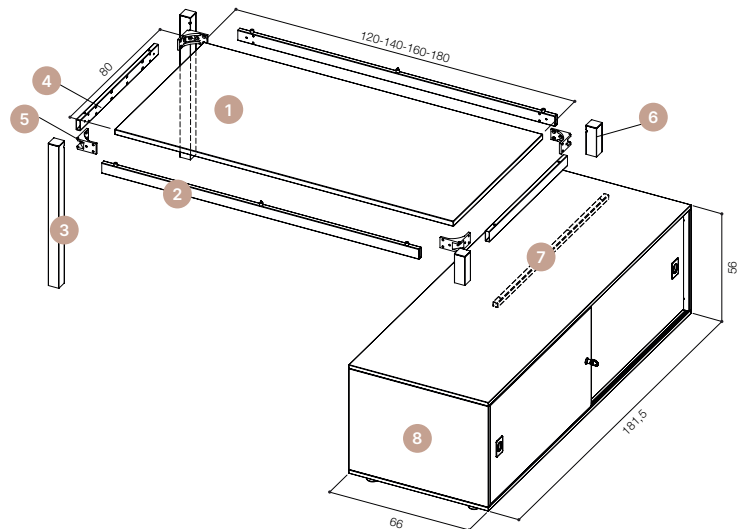
**DESKS WITH INTEGRATED PEDESTAL/CABINET**

- 1) 25mm desktop
- 2) Side beam
- 3) X4 leg
- 4) End beam
- 5) Corner linking bracket
- 6) End beam supported on integrated pedestal/cabinet
- 7) Integrated desk high pedestal/cabinet



**DESK SUPPORTED ON A LOW CREDENZA UNIT**

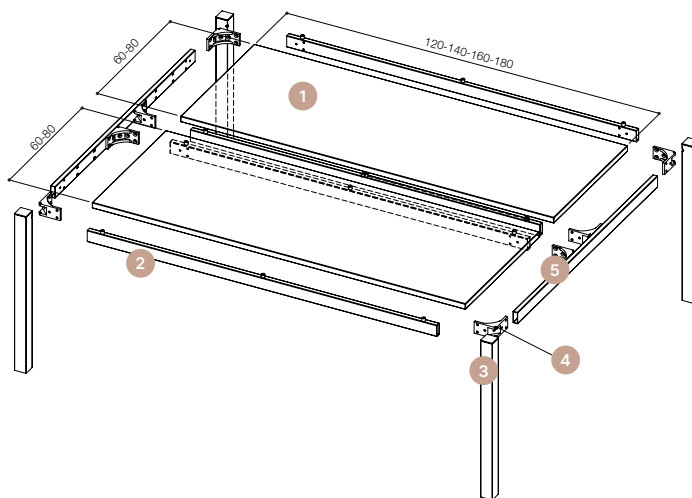
- 1) 25mm desktop
- 2) Side beam
- 3) X4 leg
- 4) End beam
- 5) Corner linking bracket
- 6) Short X4 leg supported on low credenza unit
- 7) Beam to prevent top from bending
- 8) Low credenza unit



**BENCH DESKS**

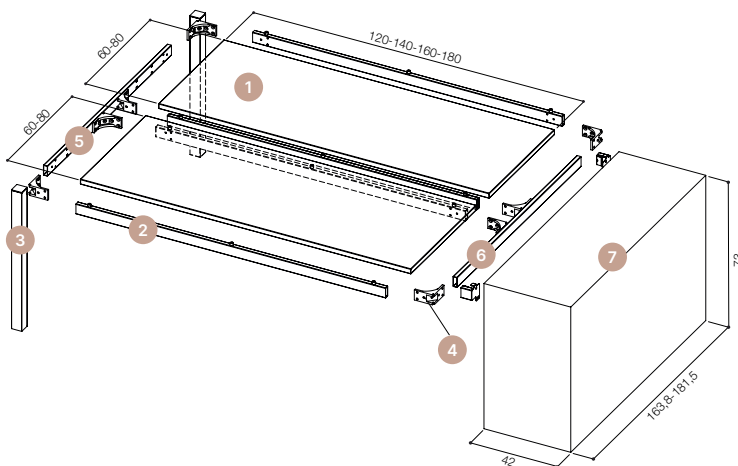
**BENCH**

- 1) 25mm desktop
- 2) Side beam
- 3) X4 leg
- 4) Corner linking bracket
- 5) End beam



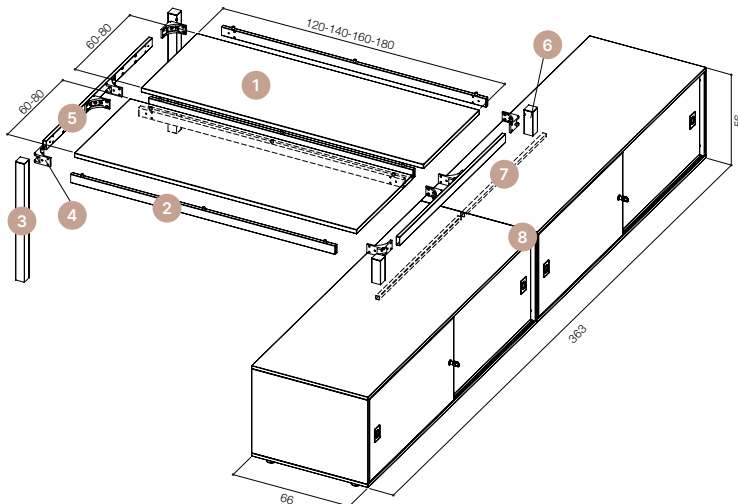
**BENCH WITH INTEGRATED PEDESTAL/ CABINET**

- 1) 25mm desktop
- 2) Side beam
- 3) X4 leg
- 4) Corner linking bracket
- 5) Side beam
- 6) End beam supported on integrated pedestal/ cabinet
- 7) Pair of integrated desk high pedestals/cabinets



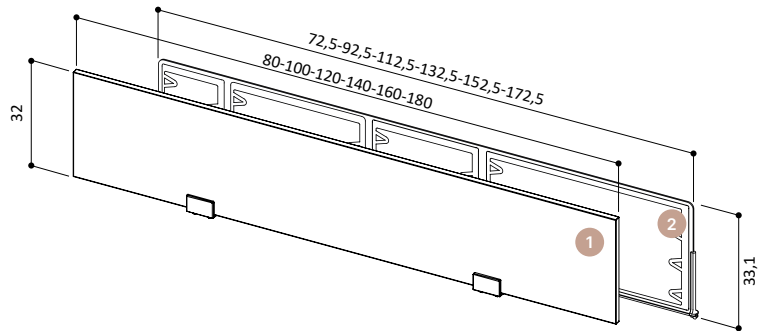
**BENCH WITH LOW CREDENZA UNIT**

- 1) 25mm desktop
- 2) Side beam
- 3) X4 leg
- 4) Corner linking bracket
- 5) End beam
- 6) Short X4 leg supported on low credenza unit
- 7) Beams to prevent top from bending
- 8) Low credenza units

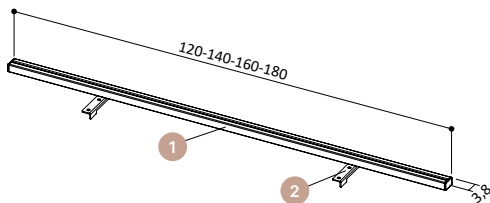


**FRAMELESS SCREENS SUPPORTED ON DESK RAIL, CABLE MANAGEMENT**

- 1) Melamine frameless screen / fabric covered frameless screen / etched glass frameless screen - includes two U-shaped mounting brackets for fitting to desk rails
- 2) Acoustic frameless screen made of fabric covered thermoformed polyester fibre - includes two mounting brackets for fitting to desk rails

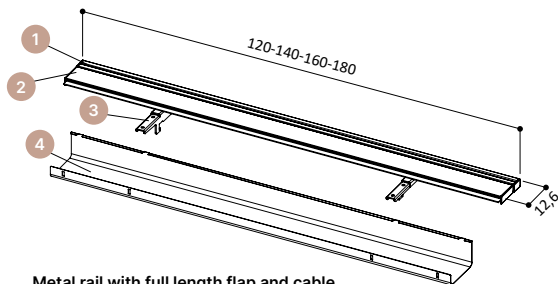
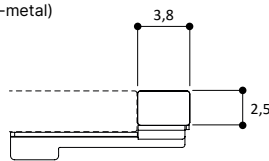


**OPTIONS FOR SINGLE & BENCH DESKS (A FRAMELESS SCREEN MAY BE OPTIONALLY FITTED TO THE RAIL)**



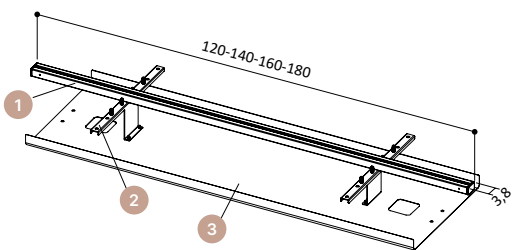
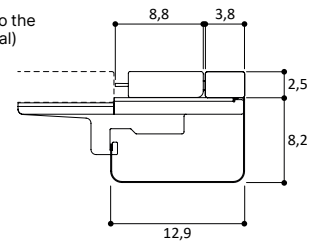
**Metal rail for single desks or for bench desks with 38mm middle gap**

- 1) Rail
- 2) Pair of steel fixing brackets, screw to the underside of the top (metal-to-metal)



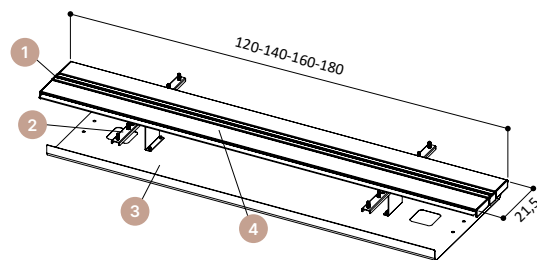
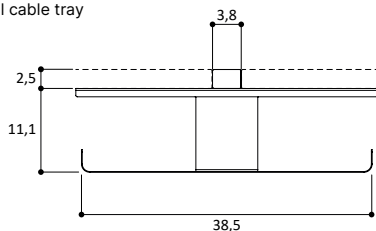
**Metal rail with full length flap and cable tray for single desks**

- 1) Rail
- 2) Full length cable flap
- 3) Pair of steel fixing brackets, screw to the underside of the top (metal-to-metal)
- 4) Metal cable tray



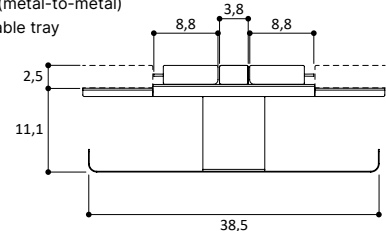
**Metal rail with high capacity cable tray for bench desks with 38mm middle gap**

- 1) Rail
- 2) Pair of steel fixing brackets, screw to the underside of the tops (metal-to-metal)
- 3) High capacity metal cable tray



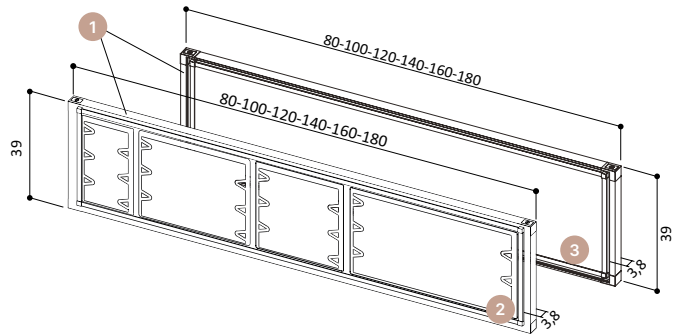
**Metal rail with two full length flaps and high capacity cable tray for bench desks with 215mm middle gap**

- 1) Rail
- 2) Pair of steel fixing brackets, screw to the underside of the tops (metal-to-metal)
- 3) High capacity metal cable tray
- 4) Full length cable flaps



**FRAMED SCREENS AND CABLE MANAGEMENT**

- 1) Aluminium frame
- 2) Acoustic framed screen, surface made of fabric covered thermoformed polyester fibre
- 3) Regular framed screens feature six surface options:
  - 8mm MFC panel;
  - fabric covered honeycomb core sandwiched between MDF panels;
  - 8mm wood effect melamine faced chipboard (MFC);
  - 8mm plywood core sandwiched between acoustic polyurethane foam sheets, fabric covered;
  - translucent pinstriped polycarbonate;
  - translucent matt white acrylic.



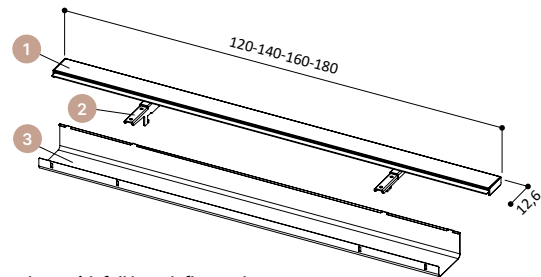
**OPTIONS FOR SINGLE & BENCH DESKS (A FRAMED SCREEN IS REQUIRED IN ALL SCENARIOS)**



**Fixing brackets when no cable management is required**

- 1) Pair of steel fixing brackets for framed screens, screw to the underside of the top (metal-to-metal fixing)

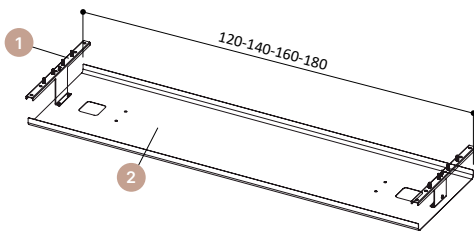
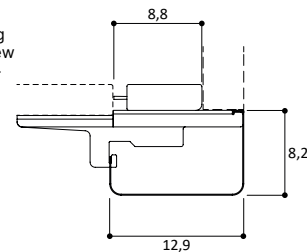
Note: framed screen required



**Fixing brackets with full length flap and cable tray for single desks**

- 1) Full length cable flap
- 2) Pair of steel fixing brackets holding framed screen and cable tray, screw to the underside of the top (metal-to-metal fixing)
- 3) Metal cable tray

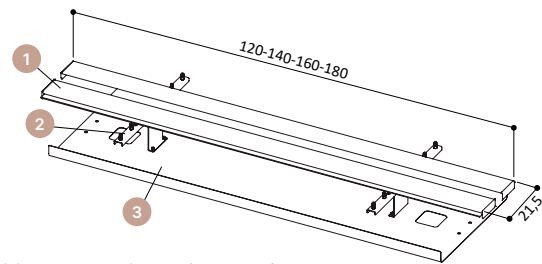
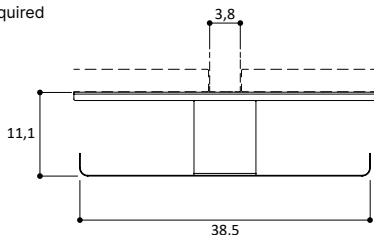
Note: framed screen required



**Fixing brackets with high capacity cable tray for bench desks with 38mm middle gap**

- 1) Pair of steel fixing brackets holding framed screen and high capacity cable tray, screw to the underside of the top (metal-to-metal fixing)
- 2) High capacity metal cable tray

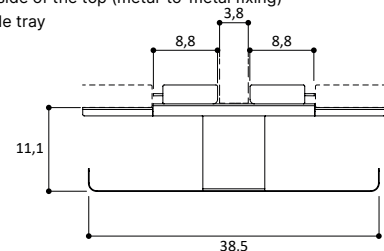
Note: framed screen required



**Fixing brackets with two full length flaps and high capacity cable tray for bench desks with 215mm middle gap**

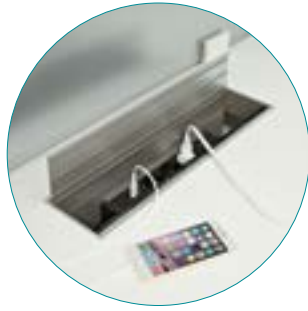
- 1) Full length cable flaps
- 2) Pair of steel fixing brackets holding framed screen and high capacity cable tray, screw to the underside of the top (metal-to-metal fixing)
- 3) High capacity metal cable tray

Note: framed screen required

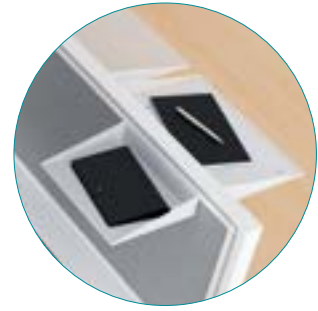




Ø60mm ABS grommet



Aluminium cable flap with open ended cable tray under (for MFC tops only)



Tool bar and trays/pen pots



Translucent ABS cable spine



High capacity metal cable tray for bench desks



Metal tower for vertical cable management



High capacity metal cable tray for bench desks



Depth adjustable CPU cradle



Melamine modesty panel







Metal modesty panel with square holes

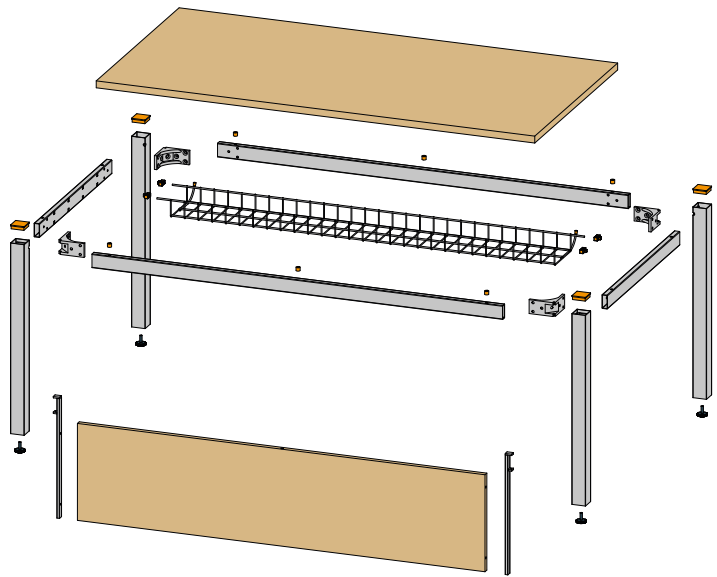


**MATERIALS AND RECYCLABILITY**

Panels used on X4 range are exclusively 100% made by recycled wood and respect low formaldehyde emission (CATAS certification Quality Award CARB). Resins used on panels and melamine paper are SVHC substances free (reported on ECHA list update to 12/01/2017)

**DESK WITH METAL FRAME**

	POST-CONSUMER RECYCLABLE
 Wood	100%
 Plastic	100%
 Metal	100%
 Mixed	If disposed of in a specialised facilities





## STANDARDS

X4 ra Scrivania X4 ad L nge has passed the following tests, attested by **CATS** analysis laboratory in San Giovanni al Natisone (UD).

- Tables and desks dimensions EN 527-1:2000
- Safety mechanical requirements EN 527-2:2002, clause 3
- Horizontal static load test EN 527-3:2003, clause 5.3
- Vertical static load test EN 527-3:2003, clause 5.2
- Horizontal fatigue test EN 527-3:2003, clause 5.4
- Vertical fatigue test EN 527-3:2003, clause 5.5
- Stability 527-3:2003, clause 5.1
- Drop test 527-3:2003, clause 5.6
- Worktops bend UNI 8594:2004
- Legs impact UNI 9086:1987



## CERTIFICATES

Constantly receptive to market requirements, Quadrifoglio Sistemi d'Arredo pay special attention on quality and safety contents in order to provide high products and services. The Company has reached certifications UNI EN ISO 9001/2015, UNI EN ISO 14001/2015 and UNI EN ISO 45001/2018 to confirm his policy. Our products are certified and ensured by FSC™ and ECOLOGICAL PANEL.

COMPANY WITH  
MANAGEMENT SYSTEM  
CERTIFIED BY DIN  
ISO 9001 • ISO 14001  
ISO 45001



## GREEN ENERGY

The Company had installed the photovoltaic system with 4.500 solar panels in a 7.350 m<sup>2</sup> surface that covers almost entirely the factory. The photovoltaic is able to produce 1Mw of a quiet green energy, that does not harm the environment and is waste-free. With his high production capacity the photovoltaic allows us to reduce emissions in the atmosphere of all those polluting substances and to those that contribute to the greenhouse effects. Consequently, such measures make us save every year 180 tonne of petrol oil, 440 tonne of CO<sub>2</sub>, 514kg of sulphur dioxide, 448 kg of nitrogen oxide and 23kg of dust.



## TRANSPORT

Packaging is reduced in order to decrease volumes. Goods collections are responsibly managed and organised with the aim of optimise transports, reducing atmosphere emissions.