

X10

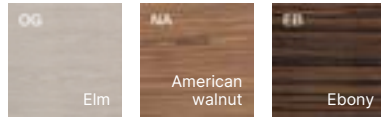
design office



TOPS FOR DESKS AND RETURN UNITS

Made of 18mm veneered MDF board, matt transparent semi-open pore varnished 0.6mm wood veneer, 1mm wood veneer edging, front and back of top are 90° folded to form 50mm high side edges whose grain, being part of the same board, lines up perfectly with the top.
 Panel density 720/790 kgs per cubic meter.

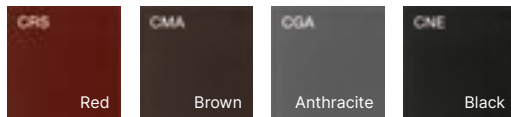
Finish options:



TOPS FOR DESKS WITH LEATHER INLAY

Leather insert made from 18mm melamine faced particle board (MFC) with 50mm high 90° folded front edge. Top and edge outer surface covered with 1.3mm abrasion resistant leather finished with matching decorative stitching along the perimeter of the panel. Panel density 670/730 kgs per cubic meter.

Finish options:



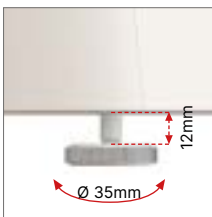
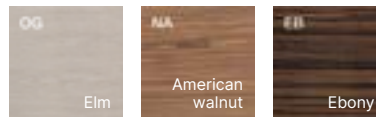
Production lead time: 5 weeks excluding delivery time.

FRAME



Inner frame made of wood honeycomb covered with veneered MDF curved boards. Matt transparent semi-open pore varnished 0.6mm wood veneer.

Finish options:



0-12mm steel manually adjustable levelling feet complete with round ø35mm Abs molded scratch-resistant base.

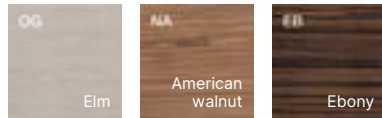
UNDERDESK METAL BEAMS

Epoxy powder coated 60×30mm 1.5mm thick steel hollow rectangular tubes.

MODESTY PANEL (OPTIONAL EXTRA)

Made of 18mm veneered particle board, matt transparent semi-open pore varnished 0.6mm wood veneer, 1mm thick wood veneer edges, 0.5 mm radius corners. Panel density 720/790 kgs per cubic meter. 3mm epoxy powder coated steel mounting brackets.

Finish options:



STATIC PEDESTAL SUPPORTING RETURN UNIT

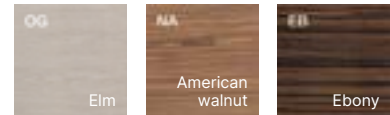
3-drawer + 1-pen drawer static pedestal made of 18mm veneered particle board. Matt transparent semi-open pore varnished 0.6mm wood veneer, 1mm thick wood veneer edges, 0.5 mm radius corners. Epoxy powder coated metal drawers in silver, central locking with two folding keys, full extension metal slides with safety stop mechanism, anti-slam soft close. 80% extension pen drawer. The return top is supported on the pedestal using a cylindrical ø100mm 2mm thick steel spacer with lower and upper mounting plates. Four adjustable levelling feet.

Metal handles
Zen



Chrome (Y)

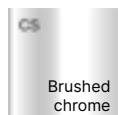
Finish options:



CABLE FLAPS WITH CABLE TRAY UNDER

The legs are supplied with epoxy powder coated steel cable trays and brushed polished extruded aluminium soft-close flaps with brush strips providing entry/exit for cables. The trays include a cutout to route cables down to floor level via a vertical channel inside the legs.

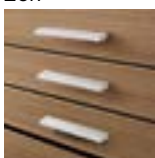
Finish options:



MOBILE PEDESTALS

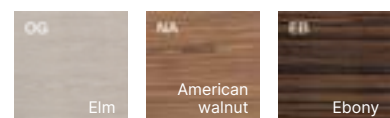
3-drawer + 1-pen drawer mobile pedestal made of 18mm veneered particle board. Matt transparent semi-open pore varnished 0.6mm wood veneer, 1mm thick wood veneer edges, 0.5 mm radius corners. Epoxy powder coated metal drawers in silver, central locking with two folding keys, full extension metal slides with safety stop mechanism, anti-slam soft close. 80% extension pen drawer. Four embedded black nylon 360° swivel castors, ø52mm.

Metal handles
Zen

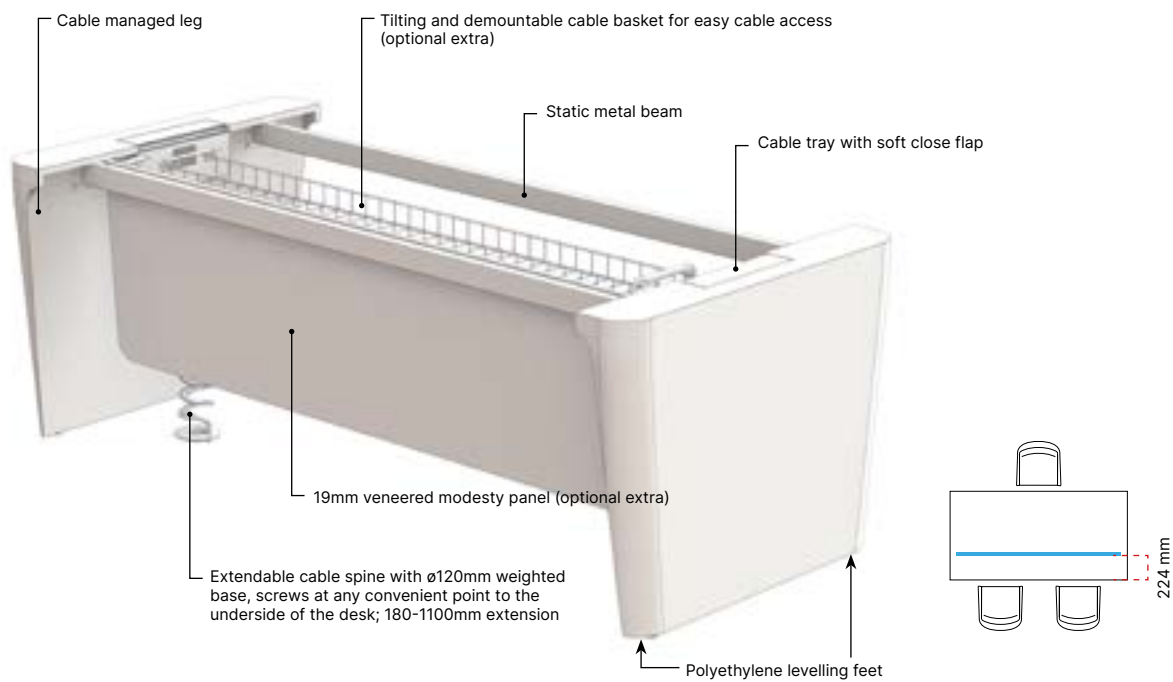


Chrome (Y)

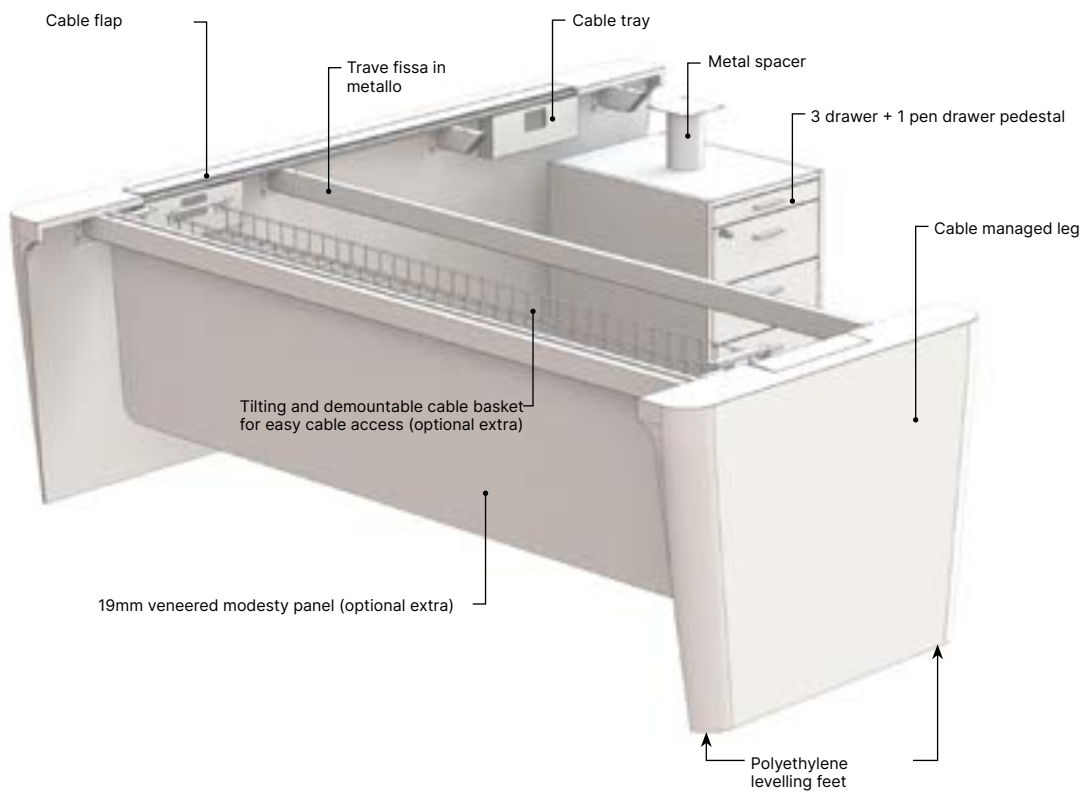
Finish options:



DESK



DESK WITH RETURN UNIT

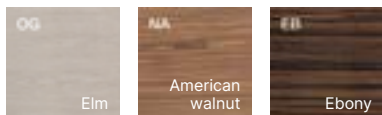


TOPS FOR TABLES AND COFFEE TABLES

Made of 18mm veneered MDF board, matt transparent semi-open pore varnished 0.6mm wood veneer, 1mm wood veneer edging, front and back of top are 90° folded to form 50mm high side edges whose grain, being part of the same board, lines up perfectly with the top.

Panel density 720/790 kgs per cubic meter

Finish options:

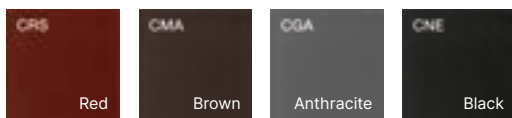


Meeting table top 90° folded to form 50mm edges

TOPS FOR TABLES WITH LEATHER INLAY

Leather insert made from 18mm melamine faced particle board (MFC) whose outer surface is covered with 1.3mm abrasion resistant leather finished with matching decorative stitching along the perimeter of the panel. The cable flaps upper surface is wrapped in the same leather as the top. Panel density 670/730 kgs per cubic meter.

Finish options:

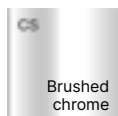


Lieferzeit: 5 Wochen.

TABLE FRAME

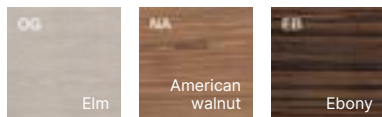
Beams made of epoxy powder coated 70×30mm 2mm thick steel hollow rectangular tubes linked by a 4mm steel crossbar. Inner leg frame made of brushed polished 50×50 and 60×30mm steel hollow tubes welded together, 3mm and 2mm thick respectively.

Finish options for the steel base: (one section tables only)



Leg covers made of 30mm veneered MDF curved boards. Matt transparent semi-open pore varnished 0.6mm wood veneer. Covers can be easily removed to better route cables down to floor level.

Finish options for the leg covers:

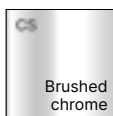


COFFEE TABLE FRAME

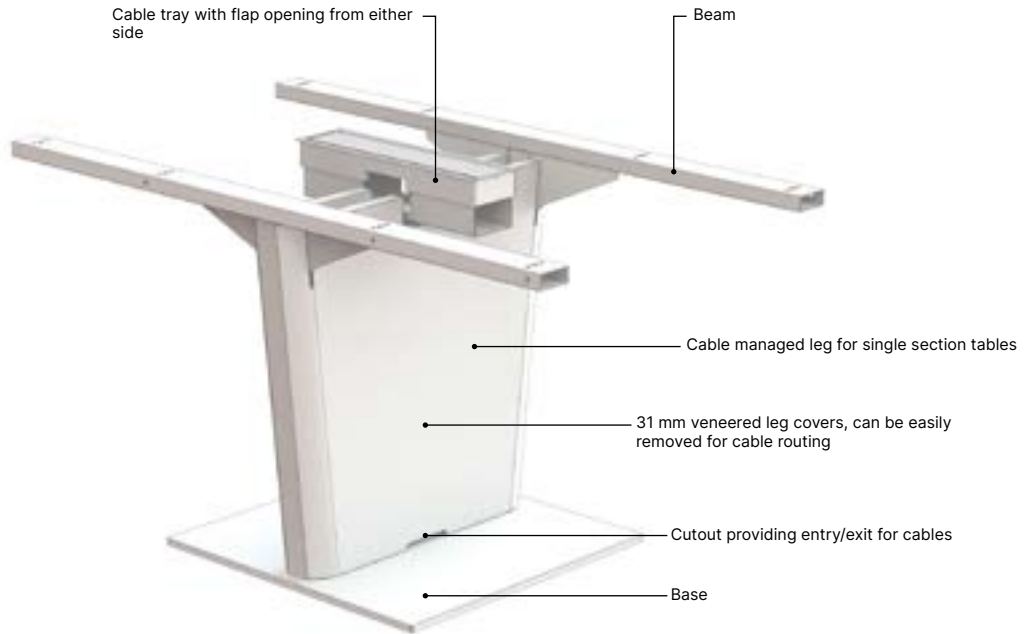
Loop legs made of 50×6mm satin chrome plated steel flat bar welded to two 3mm thick steel mounting plates. Supplied with antislip felt pads.



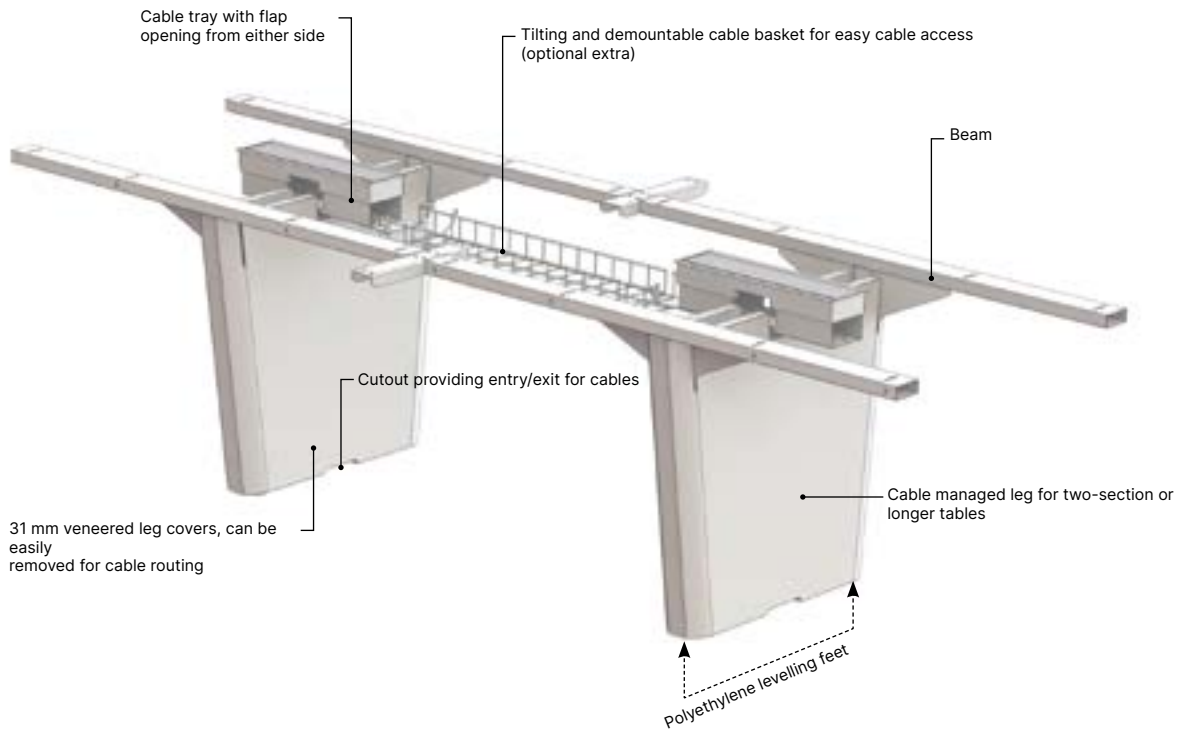
Finish options:



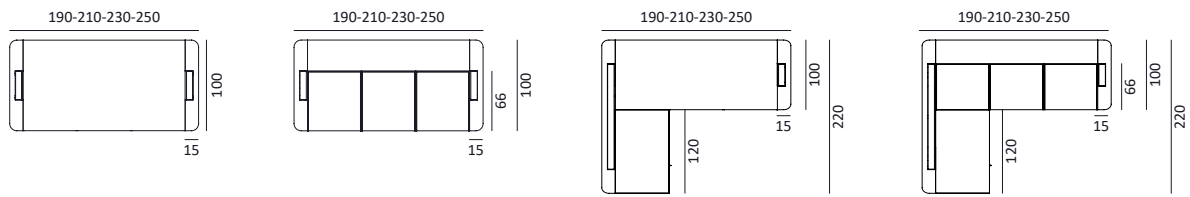
SINGLE SECTION TABLE



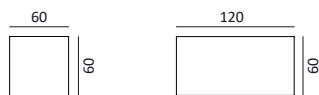
TWO-SECTION TABLE



DESKS & L-SHAPED DESKS



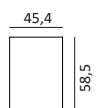
COFFEE TABLES



MEETING & BOARDROOM TABLES



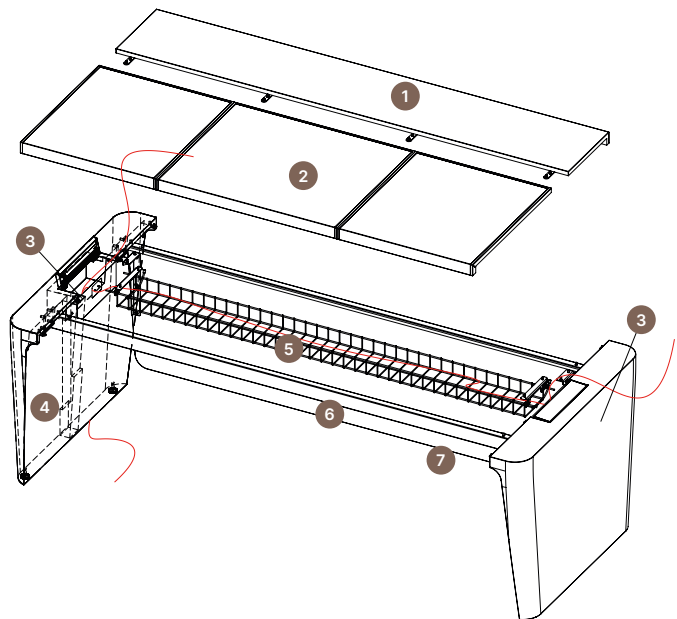
PEDESTALS



SCRIVANIE AUTONOME

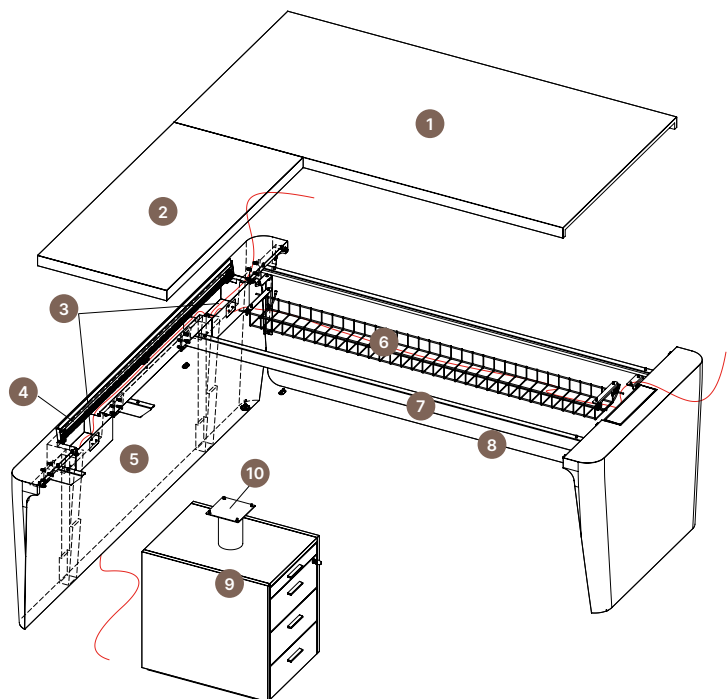
DESKS

- 1) 19mm veneered top
- 2) 20mm leather covered MFC inlay
- 3) Cable tray with flap
- 4) Cable managed X10 leg
- 5) Cable basket (optional extra)
- 6) Static beam
- 7) 19mm veneered modesty panel



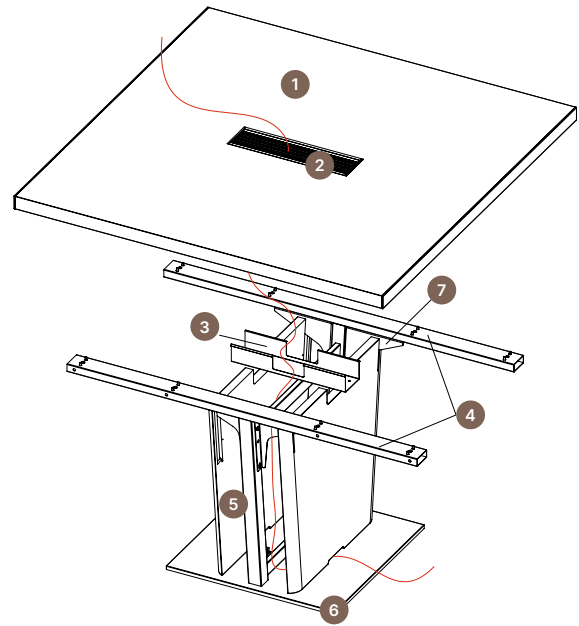
L-SHAPED DESKS

- 1) 19mm veneered top
- 2) 19mm veneered return top
- 3) Cable trays
- 4) Cable flap
- 5) Cable managed leg for L-shaped desks
- 6) Cable basket (optional extra)
- 7) Static beam
- 8) 19mm veneered modesty panel
- 9) 3 drawer + 1 pen drawer static pedestal
- 10) Metal spacer



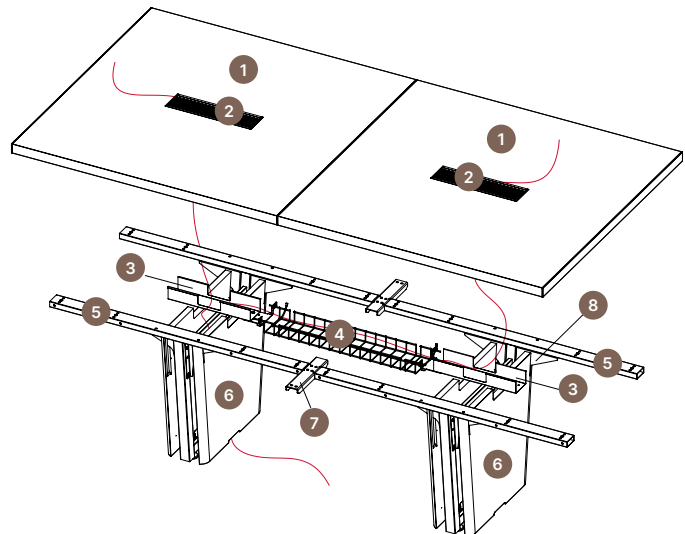
SINGLE SECTION TABLE

- 1) 19mm veneered top
- 2) Cable flap
- 3) Cable tray
- 4) Beams
- 5) Cable managed leg
- 6) Base
- 7) Brackets to increase stability



TWO-SECTION TABLE

- 1) 19mm veneered tops
- 2) Cable flap
- 3) Cable tray
- 4) Cable basket (optional extra)
- 5) Beams
- 6) Cable managed legs
- 7) Brackets for linking beams
- 8) Brackets to increase stability





Cable basket for desks



Cable basket for two-section or longer tables



Extendable cable spine



3 drawer + pen drawer mobile pedestal



Veneered modesty panel



MATERIALS AND RECYCLABILITY

MFC panels used for X10 range tables are solely manufactured with 100% recycled wood and fully meet requisites of formaldehyde low emissions (CARB Quality Award CATAS Certificate). Rasins used for panels and melamines are free of SVHC substances (to be found in the ECHA list updated as of 12/01/2017).



STANDARDS

X10 range has passed the following tests, attested by **CATAS** analysis laboratory in San Giovanni al Natisone (UD).

- Office work tables: safety requirements EN 527-2:2016+A1:2019 clause 4.1 - 4.2
- Office work tables: information for use EN 527-2:2016+A1:2019, clause 6
- Tables and desks dimensions EN 527-1:2011
- Horizontal static load test EN 1730:2012, clause 6.2
- Vertical static load test EN 1730:2012, clause 6.3
- Horizontal fatigue test EN 1730:2012, clause 6.4.2
- Stiffness of the structure EN 1730:2012, clause 6.4.3
- Vertical fatigue test EN 1730:2012, clause 6.5
- Vertical impact test EN 1730:2012, clause 6.6
- Deflection of table tops EN 1730:2012, clause 6.7
- Drop test EN 1730:2012, clause 6.9
- Stability under vertical load EN 1730:2012, clause 7.2



CERTIFICATES

Constantly receptive to market requirements, Quadrifoglio Sistemi d'Arredo pay special attention on quality and safety contents in order to provide high products and services. The Company has reached certifications UNI EN ISO 9001/2015, UNI EN ISO 14001/2015 and UNI EN ISO 45001/2018 to confirm his policy. Our products are certified and ensured by FSC™ and ECOLOGICAL PANEL.



GREEN ENERGY

The Company had installed the photovoltaic system with 4.500 solar panels in a 7.350 m² surface that covers almost entirely the factory. The photovoltaic is able to produce 1Mw of a quiet green energy, that does not harm the environment and is waste-free. With his high production capacity the photovoltaic allows us to reduce emissions in the atmosphere of all those polluting substances and to those that contribute to the greenhouse effects. Consequently, such measures make us save every year 180 tonne of petrol oil, 440 tonne of CO₂, 514kg of sulphur dioxide, 448 kg of nitrogen oxide and 23kg of dust.



TRANSPORT

Detachable systems. Volumes that facilitate the optimization of space. Maximum reduction of energy consumption by transport.