

IDEA+
01

design office



TOPS

30 mm melamine faced chipboard (MFC) finished with 2 mm matching straight ABS impact resistant edges, easy to clean scratch-resistant anti-reflective melamine. MFC density 670/730 kgs per cubic meter.

Finish options:



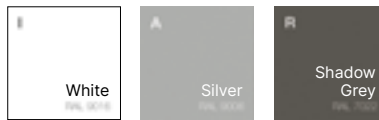
METAL FRAME



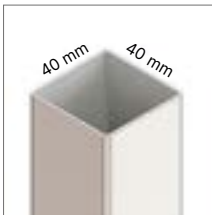
01

Frame made of epoxy powder coated steel tube and sheet metal. Modesty panel made of 1mm epoxy powder coated perforated steel.

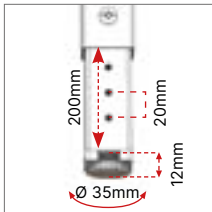
Finish options:



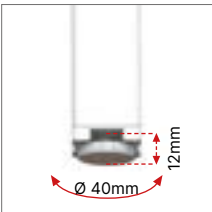
Beams are always supplied in a silver finish.



01 leg made of 40x40mm 1.5mm steel tube - 3mm folded steel welded brackets.

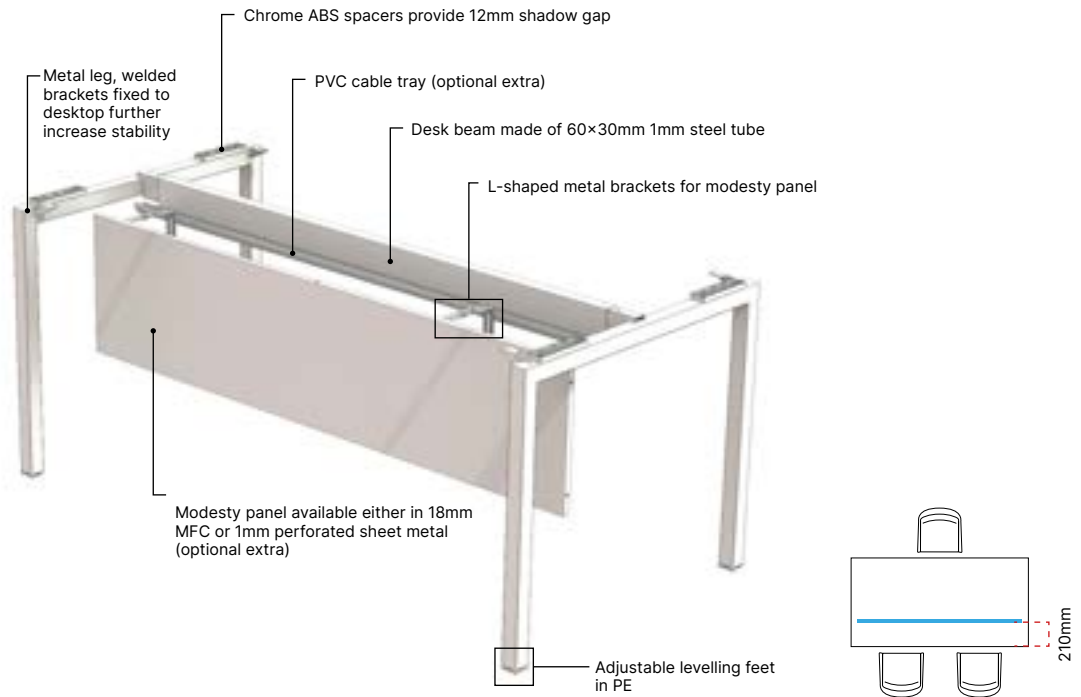


(OPTIONAL EXTRA)
Height settable telescopic legs from 650mm to 850mm with increments of 20mm in eleven positions.

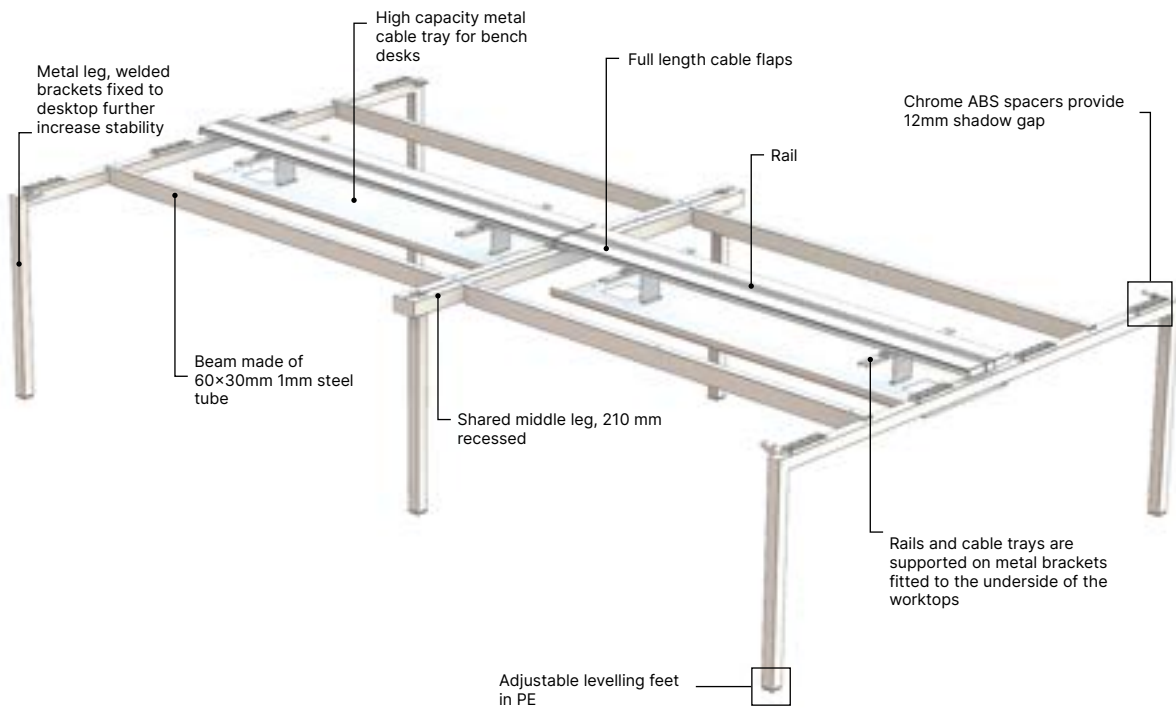


0-12mm adjustable levelling feet made of polyethylene, 40mm diameter.

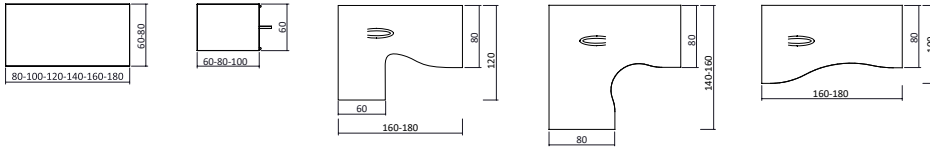
01 BEAM DESK



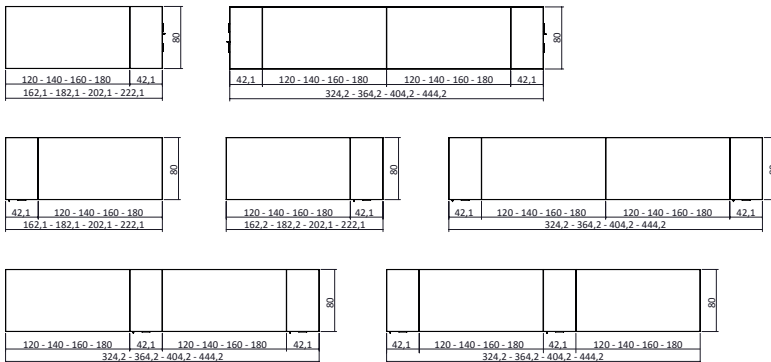
BENCH 01



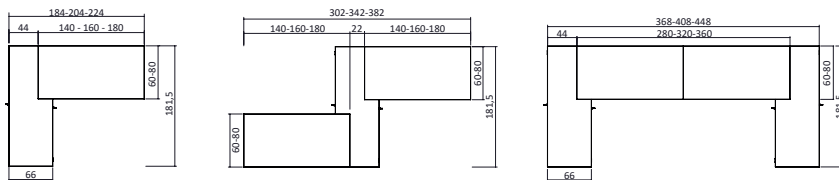
SINGLE DESKS



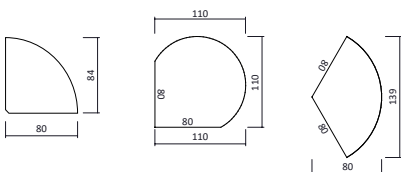
DESKS WITH DESK HIGH CABINET/PEDESTAL



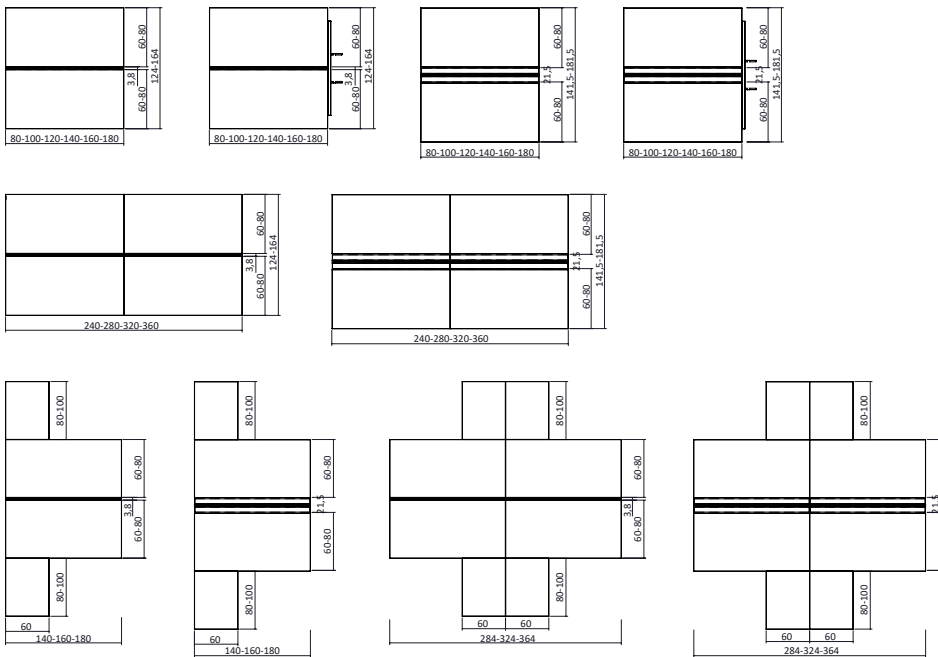
DESKS WITH LOW CREDENZA UNIT



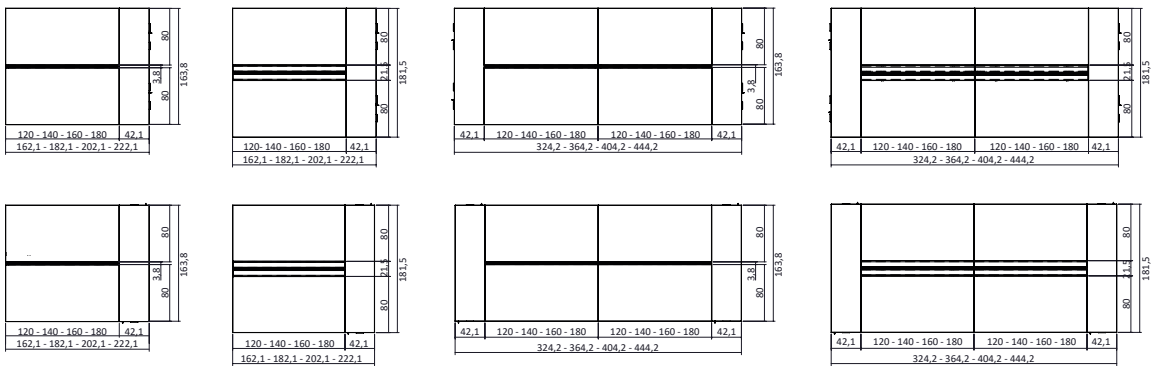
LINKING AND EXTENSION UNITS FOR DESKS AND BENCH DESKS



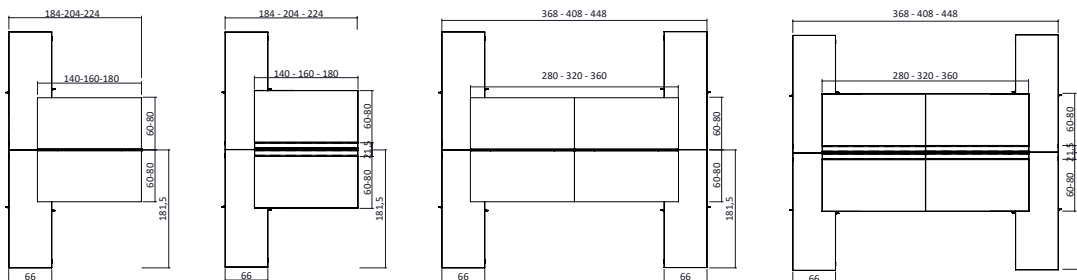
01 BENCH



01 BENCH WITH DESK HIGH CABINET/PEDESTAL



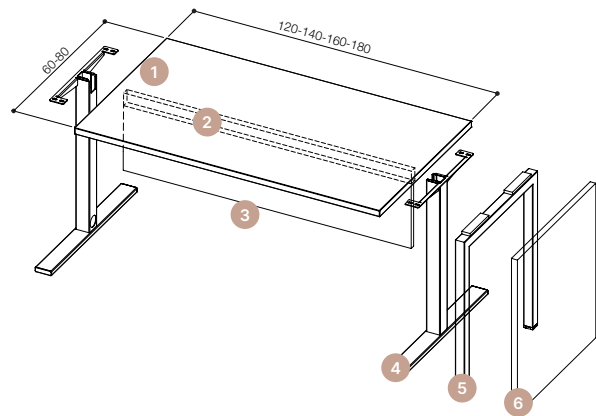
01 BENCH WITH LOW CREDENZA UNIT



SINGLE DESKS

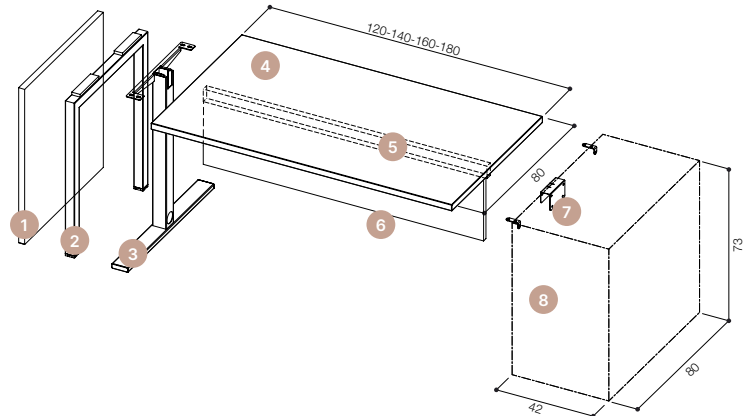
SINGLE DESK

- 1) 30mm desktop
- 2) Static beam for O1/Tube frames
- 3) Structural modesty panel for Panel frames
- 4) Tube frame
- 5) O1 frame
- 6) Panel end legs



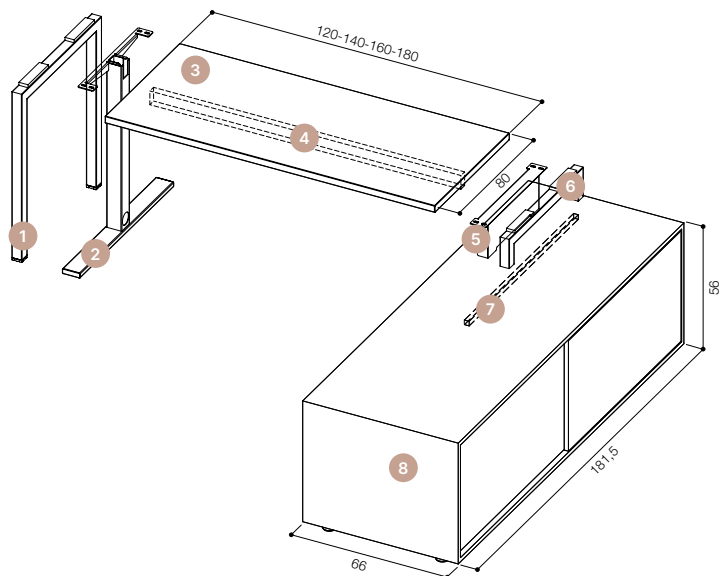
SINGLE DESK SUPPORTED ON DESK HIGH CABINET/PEDESTAL

- 1) Panel end legs
- 2) O1 frame
- 3) Tube frame
- 4) 30mm desktop
- 5) Static beam for O1/Tube frames
- 6) Structural modesty panel for Panel legs
- 7) Linking brackets for desk high cabinets/pedestals
- 8) Desk high cabinet/pedestal



SINGLE DESK SUPPORTED ON LOW CREDENZA UNIT

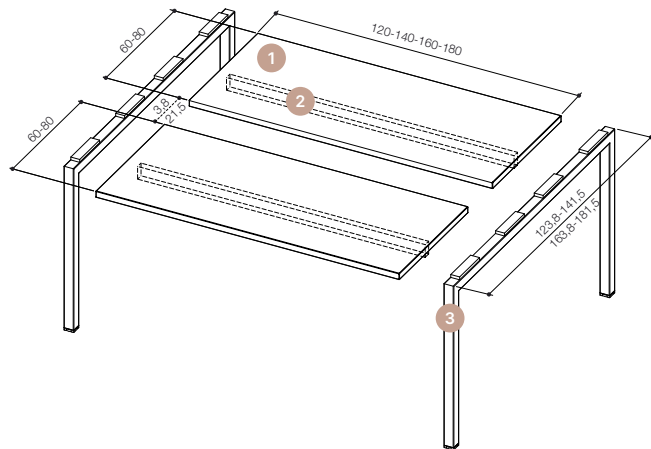
- 1) O1 frame
- 2) Tube frame
- 3) 30mm desktop
- 4) Static beam for O1/Tube frames
- 5) Tube leg for desks supported on low credenza units
- 6) O1 leg for desks supported on low credenza units
- 7) Metal beams to prevent bending
- 8) Low credenza unit



01 BENCHING

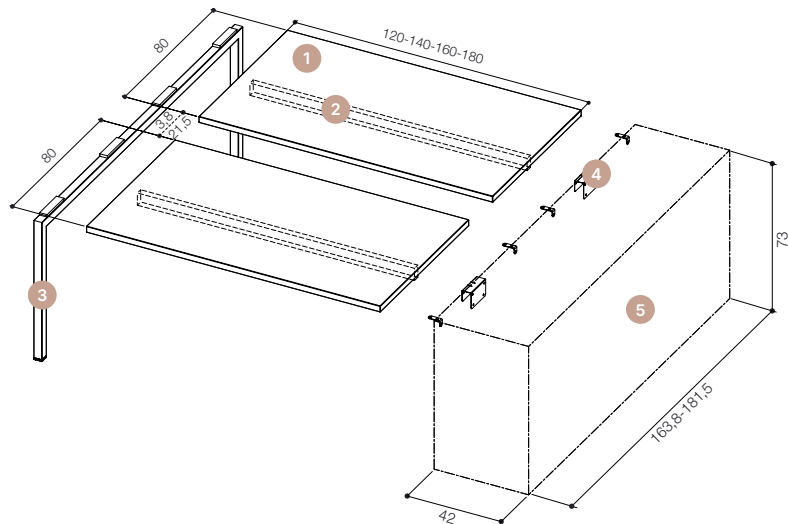
BENCH

- 1) 30mm desktop
- 2) Static beams
- 3) 01 legs for bench desks



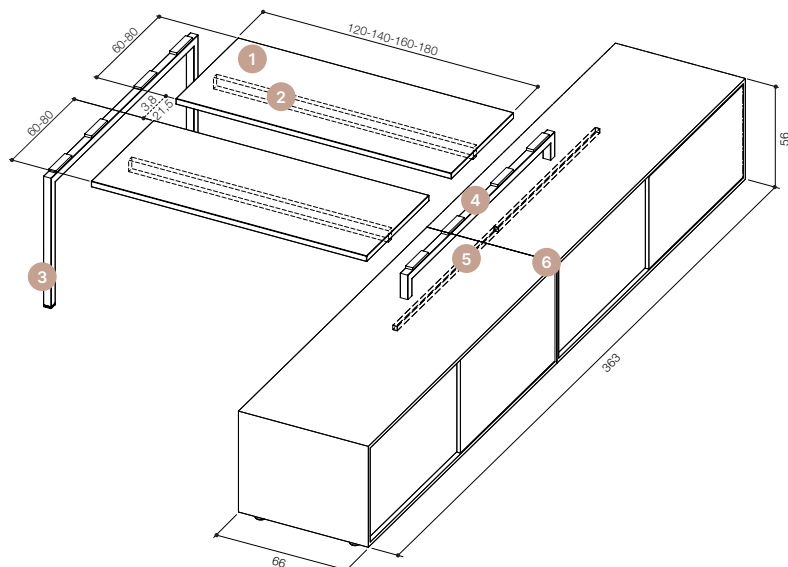
**BENCH WITH DESK
HIGH CABINET/PEDESTAL**

- 1) 30mm desktop
- 2) Static beams
- 3) 01 legs for bench desks
- 4) Linking brackets for desk high cabinets/
pedestals
- 5) Desk high double cabinets/pedestals



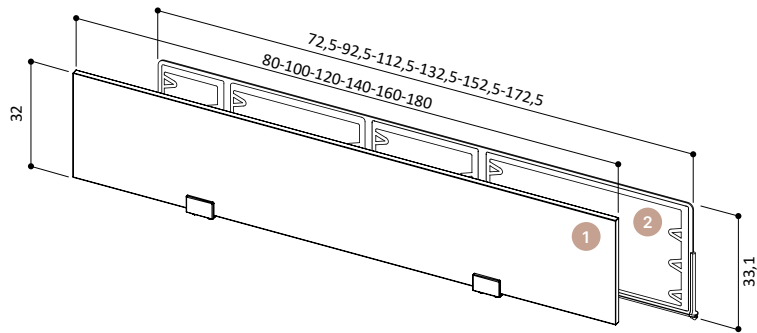
**BENCH SUPPORTED ON LOW
CREDENZA UNITS**

- 1) 30mm desktop
- 2) Static beams
- 3) 01 legs for bench desks
- 4) 01 legs for bench desks supported
on low credenza units
- 5) Metal beams to prevent bending
- 6) Double low credenza units

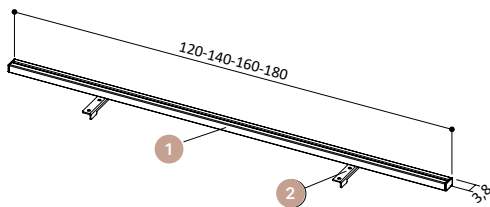


FRAMELESS SCREENS SUPPORTED ON DESK RAIL, CABLE MANAGEMENT

- 1) Melamine frameless screen / fabric covered frameless screen / etched glass frameless screen - includes two U-shaped mounting brackets for fitting to desk rails
- 2) Acoustic frameless screen made of fabric covered thermoformed polyester fibre - includes two mounting brackets for fitting to desk rails

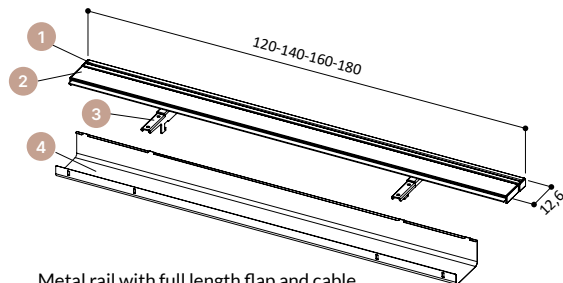
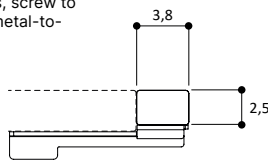


OPTIONS FOR SINGLE & BENCH DESKS (A FRAMELESS SCREEN MAY BE OPTIONALLY FITTED TO THE RAIL)



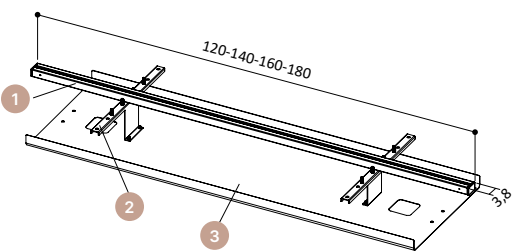
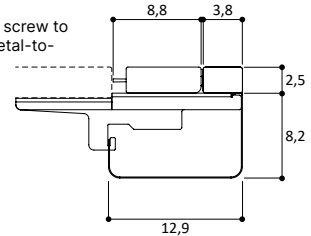
Metal rail for single desks or for bench desks with 38mm middle gap

- 1) Rail
- 2) Pair of steel fixing brackets, screw to the underside of the top (metal-to-metal)



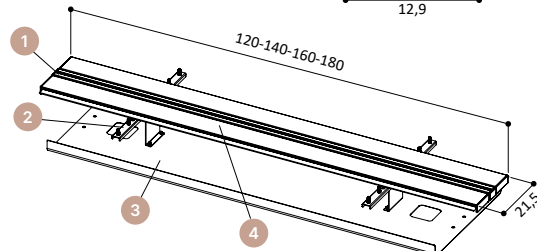
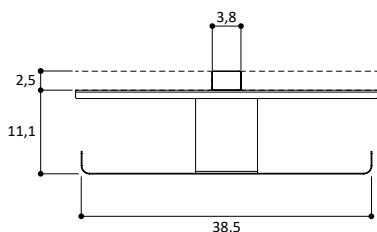
Metal rail with full length flap and cable tray for single desks

- 1) Rail
- 2) Full length cable flap
- 3) Pair of steel fixing brackets, screw to the underside of the top (metal-to-metal)
- 4) Metal cable tray



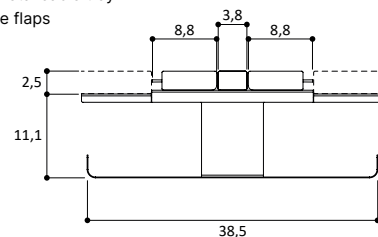
Metal rail with high capacity cable tray for bench desks with 38mm middle gap

- 1) Rail
- 2) Pair of steel fixing brackets, screw to the underside of the tops (metal-to-metal)
- 3) High capacity metal cable tray



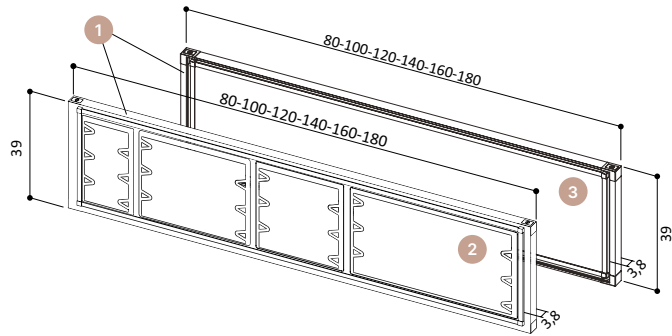
Metal rail with two full length flaps and high capacity cable tray for bench desks with 215mm middle gap

- 1) Rail
- 2) Pair of steel fixing brackets, screw to the underside of the tops (metal-to-metal)
- 3) High capacity metal cable tray
- 4) Full length cable flaps



FRAMED SCREENS AND CABLE MANAGEMENT

- 1) Aluminium frame
- 2) Acoustic framed screen, surface made of fabric covered acoustic thermoformed polyester fibre
- 3) Regular framed screens feature six surface options:
 - 8mm MFC panel;
 - fabric covered honeycomb core sandwiched between MDF panels;
 - 8mm wood effect melamine faced chipboard (MFC);
 - 8mm plywood core sandwiched between acoustic polyurethane foam sheets, fabric covered;
 - translucent pinstriped polycarbonate;
 - translucent matt white acrylic.



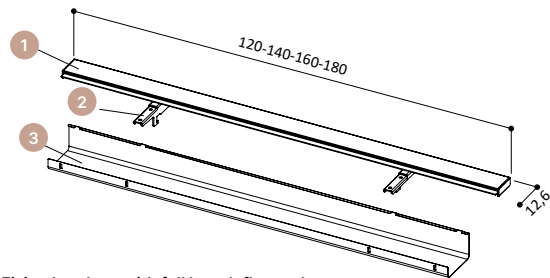
OPTIONS FOR SINGLE & BENCH DESKS (A FRAMED SCREEN IS REQUIRED IN ALL SCENARIOS)



Fixing brackets when no cable management is required

- 1) Pair of steel fixing brackets for framed screens, screw to the underside of the top (metal-to-metal fixing)

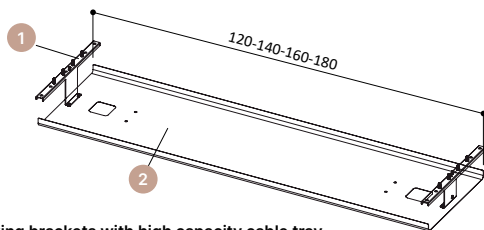
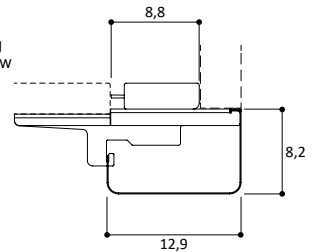
Note: framed screen required



Fixing brackets with full length flap and cable tray for single desks

- 1) Full length cable flap
- 2) Pair of steel fixing brackets holding framed screen and cable tray, screw to the underside of the top (metal-to-metal fixing)
- 3) Metal cable tray

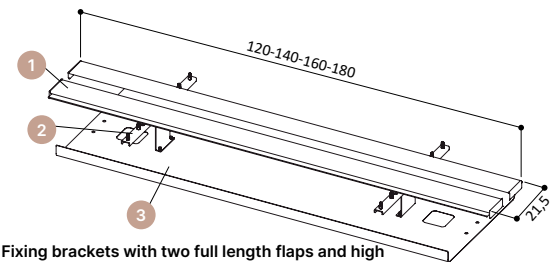
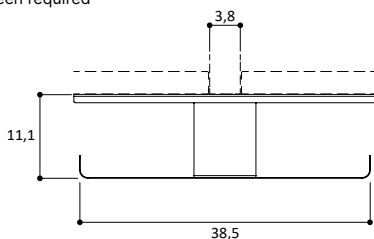
Note: framed screen required



Fixing brackets with high capacity cable tray for bench desks with 38mm middle gap

- 1) Pair of steel fixing brackets holding framed screen and high capacity cable tray, screw to the underside of the top (metal-to-metal fixing)
- 2) High capacity metal cable tray

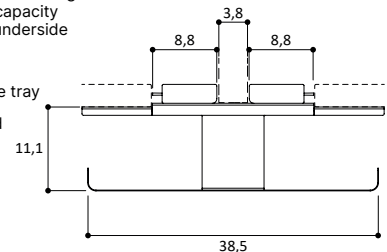
Note: framed screen required



Fixing brackets with two full length flaps and high capacity cable tray for bench desks with 215mm middle gap

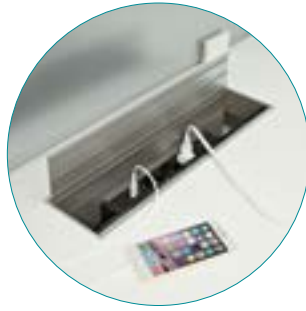
- 1) Full length cable flaps
- 2) Pair of steel fixing brackets holding framed screen and high capacity cable tray, screw to the underside of the top (metal-to-metal fixing)
- 3) High capacity metal cable tray

Note: framed screen required





Ø60mm ABS grommet



Aluminium cable flap with open ended cable tray under



PVC cable tray (optional extra)



Silver effect steel wire basket inclusive of mounting brackets



High capacity metal cable tray for bench desks



Metal tower for vertical cable management



Translucent ABS cable spine



Peel-and-stick translucent polycarbonate cable riser



"Strap" CPU holder



Tool bar and trays/pen pots



Melamine modesty panel



Perforated metal modesty panel

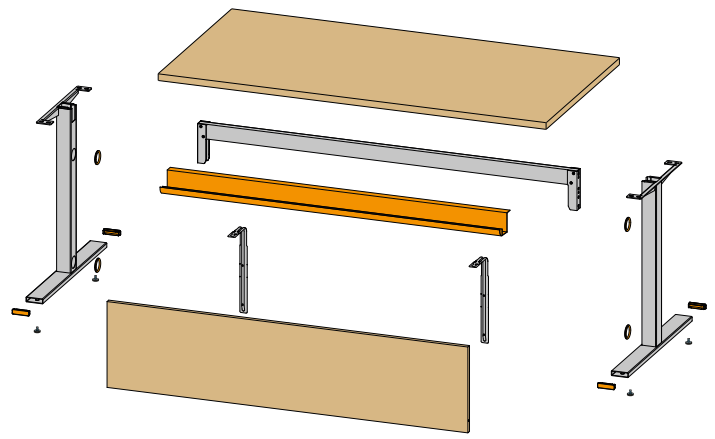


MATERIALS AND RECYCLABILITY

MFC panels used for the Idea+ 01 are solely manufactured with 100% recycled wood and fully meet requisites of formaldehyde low emissions (CATAS certification Quality Award CARB). Rasins used for panels and melamines are free of SVHC substances (to be found in the ECHA list updated as of 12/01/2017).

DESK WITH METAL FRAME

	POST-CONSUMER RECYCLABLE
Wood	100%
Plastic	100%
Metal	100%
Mixed	If disposed of in a specialised facilities





STANDARDS

Idea+ 01 has passed the following tests as certified by the **CATAS** Laboratories in San Giovanni al Natisone - Udine, Italy.

- Office work tables: safety requirements EN 527-2:2016+A1:2019 clause 4.1 - 4.2
- Office work tables: information for use EN 527-2:2016+A1:2019, clause 6
- Tables and desks dimensions EN 527-1:2011 (rev. 1)
- Horizontal static load test EN 1730:2012, clause 6.2
- Vertical static load test EN 1730:2012, clause 6.3
- Horizontal fatigue test EN 1730:2012, clause 6.4.2
- Stiffness of the structure EN 1730:2012, clause 6.4.3
- Vertical fatigue test EN 1730:2012, clause 6.5
- Vertical impact test EN 1730:2012, clause 6.6
- Drop test EN 1730:2012, clause 6.9
- Stability under vertical load EN 1730:2012, clause 7.2



CERTIFICATIONS

Constantly receptive to market requirements, Quadrifoglio Sistemi d'Arredo pay special attention on quality and safety contents in order to provide high products and services. The Company has reached certifications UNI EN ISO 9001/2015, UNI EN ISO 14001/2015 and UNI EN ISO 45001/2018 to confirm his policy. Our products are certified and ensured by FSC™ and ECOLOGICAL PANEL.



GREEN ENERGY

The Company had installed the photovoltaic system with 4.500 solar panels in a 7.350 m² surface that covers almost entirely the factory. The photovoltaic is able to produce 1Mw of a quiet green energy, that does not harm the environment and is waste-free. With his high production capacity the photovoltaic allows us to reduce emissions in the atmosphere of all those polluting substances and to those that contribute to the greenhouse effects. Consequently, such measures make us save every year 180 tonne of petrol oil, 440 tonne of CO₂, 514kg of sulphur dioxide, 448 kg of nitrogen oxide and 23kg of dust.



TRANSPORT

Packaging is reduced in order to decrease volumes. Goods collections are responsibly managed and organised with the aim of optimise transports, reducing atmosphere emissions.