

Technical description

12. Sileo S office walls

12.1. Single office walls

Structure – made of extruded polystyrene reinforced with metal profiles, covered with foam, thickness 5 mm, upholstered and pinnable. Walls are equipped with metal elements for feet assembly.

Wall versions:

– free-standing (1F) – with two metal feet with leveling glides (fixed wall) or with Ø 30 mm castors with brakes (mobile wall).

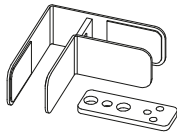
– for integration (1I) – with one metal foot with leveling glides on one side of the wall, and metal linking element to be fixed on the other side of the wall to connect walls into arrangements.

Wall connectors

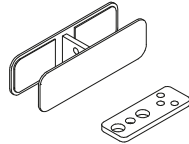
The walls can be linked with dedicated connectors at following angles: 90°, 135°, and into I (linear), T and X arrangements.

Connectors set includes:

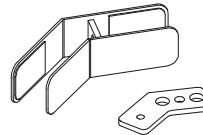
- upper connector, to be pulled over walls edges,
- bottom connector, fixed to metal foot of one wall and metal linking element of next wall / walls in arrangement,
- assembly kit.



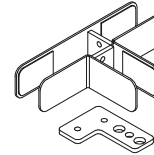
A90



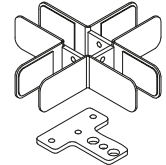
I-Con



A135

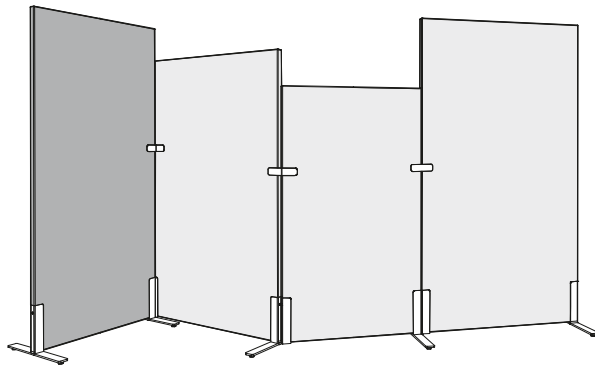


T-con



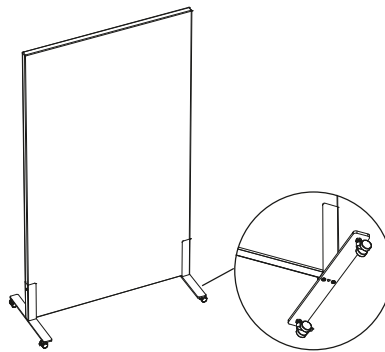
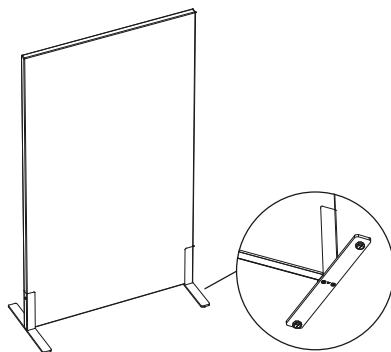
X-con

Note: walls of various heights can be linked, and it is recommended to fix upper connectors in 2/3 height of the lowest wall in arrangement.

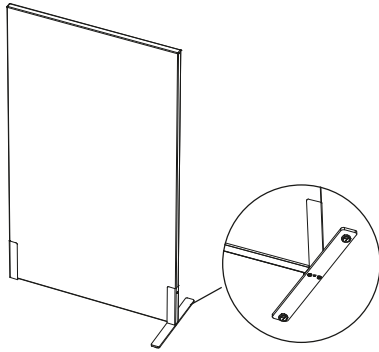


12.2. Product range

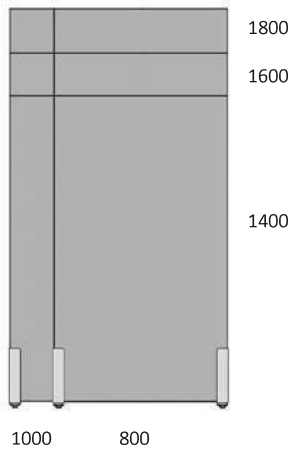
Free-standing walls



Walls for integration

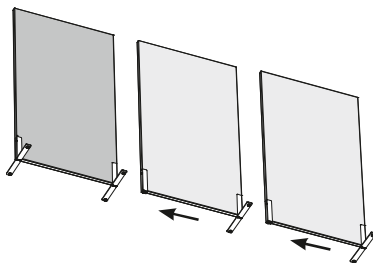


Dimensions [mm]

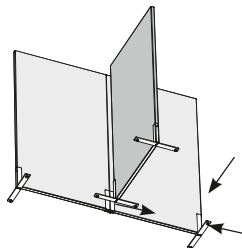


12.3. Office walls arrangement

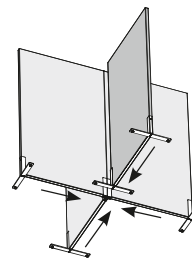
First unit of each arrangement must be free-standing wall (1F) to be extended with walls for integration (1I). In linear and angular arrangements, metal foot of one wall is connected with metal linking element of next wall in arrangement. In arrangements including „T-con” and „X-con” connectors, walls for integration must be ended with foot.



Linear connection „I-con”:
– 1 free-standing wall
– 2 walls for integration



Angular connection „T-con”:
– 1 free-standing wall
– 2 walls for integration



Angular connection „X-con”:
– 1 free-standing wall
– 3 walls for integration

Technical description

13. Sileo S2 office walls

13.1. Single office walls

Structure – made of extruded polystyrene reinforced with metal profiles, covered with foam, thickness 5 mm, upholstered and pinnable. Total thickness 35 mm.

Walls are equipped with two feet, made of steel tube \varnothing 16 mm.

Available versions:

- free-standing (2F) – fully upholstered, without zipper (walls integration not possible),
- for integration (2I) – fully upholstered, with zippers for walls connection.

Note: Office walls of various heights can be linked.

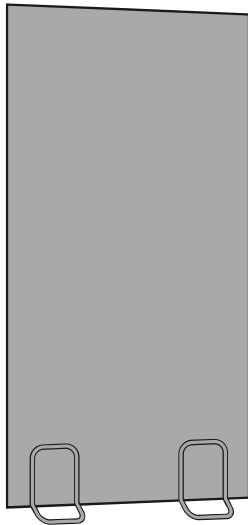
Foot versions:

- high (width 140 mm, total depth 390 mm, height 290 mm)
- low (width 140 mm, total depth 390 mm, height 200 mm)

Finish options: powder-coated in Traffic white (RAL 9016), Jet black (RAL 9005) or White aluminium (RAL 9006) colour.

13.2. Product range

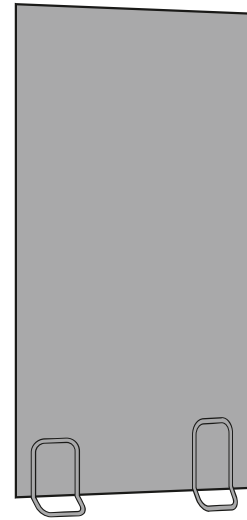
Free-standing walls



2x low foot



2x high foot



low and high foot

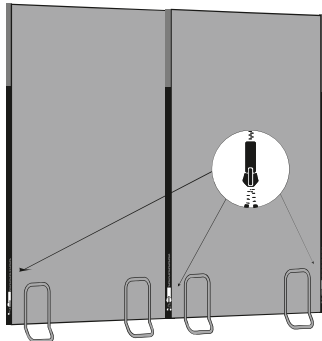
Note: Using low feet for office walls height 1800 mm is not recommended.

Walls for integration

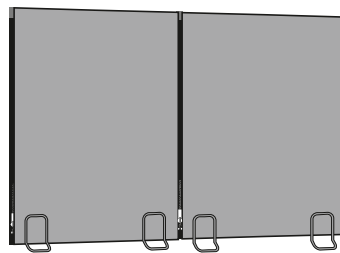
Office walls are linking by zipper starting from the top.

Zipper is sewn on both wall sides, length 130 cm.

Available in following colours: white, black or grey, always in the same colour for single wall.

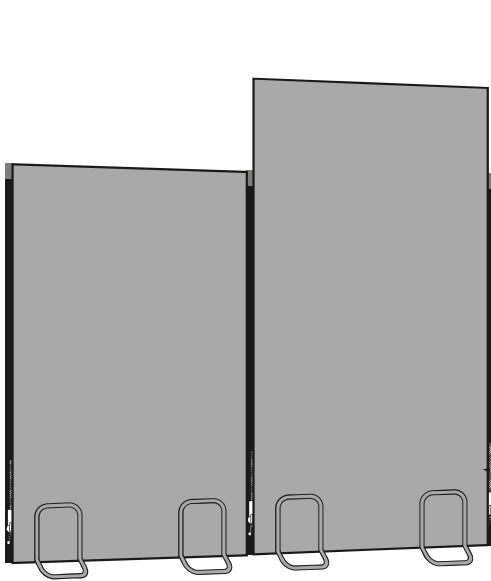


2 x wall 1800 mm
with high feet

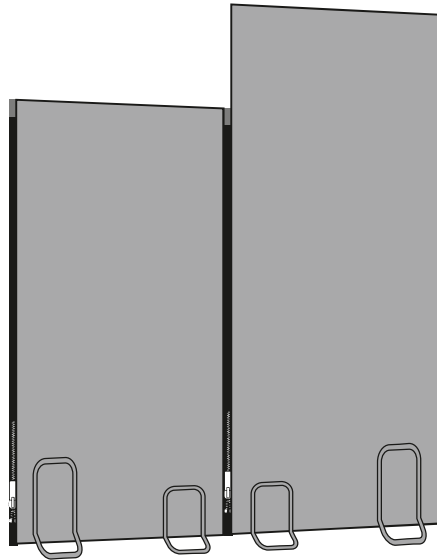


2 x wall 1400 mm
with low feet

Example of arrangements – various heights of office walls and feet

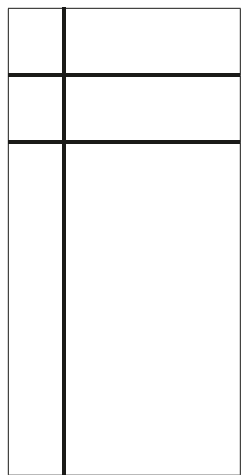


Office walls heights 1400 and 1600 mm
with low feet

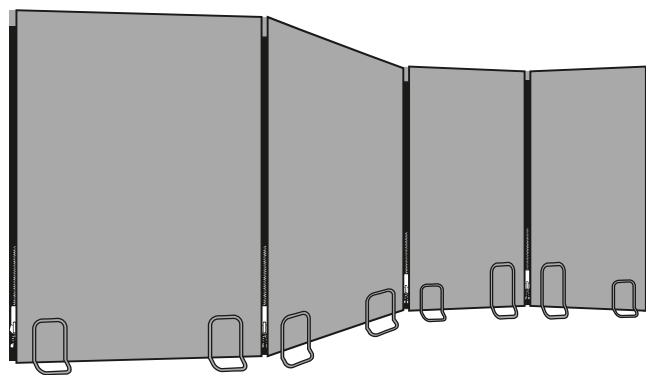


Office walls 1800 and 1600 mm
with low and high feet

Dimensions [mm]



1000 800



Internal angle between office walls for integration
shall not extend range 135°–180°.