

X7

X7



Specification sheet

X7 DESKS

MFC tops

18mm melamine faced chipboard (MFC). Easy to clean scratch-resistant anti-reflective melamine available in four finish options, three feature a textured surface (canaletto walnut, wenguè, elm), one a smooth one (white). Top sides feature 10mm chamfered edges finished with 1.5mm impact resistant ABS whereas the ends come with 10mm polished aluminium trims recessed into the desk surface.

Lacquered tops

18mm white melamine faced chipboard (MFC). Top sides feature 10mm chamfered edges finished with 1.5mm impact resistant ABS whereas the ends come with 10mm polished aluminium trims recessed into the desk surface. The upper and lower top surface as well as the ABS edges come with scratch/abrasion resistant matt lacquer coating in 17 finish options.

Glass tops

10mm fingerprint-proof back-painted tempered glass with a satin white finish. Polished edges and radius corners. Floating top on 12mm polished stainless steel spacers.

Frame

Available in two distinct leg styles, goalpost or loop. Legs feature a 94x30mm pentagon-shaped profile made of 2mm thick steel with two (goalpost) or four (loop) welding joints. Available in two finish options, either chrome or matt white scratch resistant epoxy powder coating. Underdesk metal beams are made of 100x40mm 1.5mm thick epoxy powder coated steel hollow tubes secured to the legs using metric-threaded screws. Steel adjustable levelling feet with round Abs molded scratch-resistant base (0-12mm on goalpost and 0-20mm on loop legs).

CABINET AND STATIC PEDESTAL SUPPORTING THE INSET RETURN

Made of 18mm melamine faced chipboard (MFC) available in the same four finish options as the tops. Spacious upper compartment for power modules and cables equipped with a soft close extruded polished aluminium flap complete with brush strip. The compartment is provided with a cutout to route cables down to floor level via a vertical channel inside the cabinet. The cabinet features a lower open shelf to place objects such as handbags, binders or a CPU, two round cable ports allow to route cables from the CPU into the cable compartment. 3-drawer + 1-pen drawer static pedestal made of 18mm melamine faced chipboard (MFC) with silver finished epoxy powder coated metal drawers, central locking with two folding keys, 80% extension metal slides with safety stop mechanism (optional full extension), soft close for silent low impact drawer closing, anti-tilt. Stylish chrome plated metal handles. The inset flush-mounted return top is made of 18mm melamine faced chipboard (MFC). The top ends and inner side feature 10mm chamfered edges finished with 1.5mm impact resistant ABS whereas the outer side comes with a 10mm polished aluminium trim recessed into the top surface.

The cabinet element and static pedestal can also come lacquered. In such a case they are both made of 18mm white melamine faced chipboard (MFC) coated with scratch/abrasion resistant matt lacquer in 17 finish options.

X7 MEETING and BOARDROOM TABLES

MFC tops

18mm melamine faced chipboard (MFC). Easy to clean scratch-resistant anti-reflective melamine available in four finish options, three feature a textured surface (canaletto walnut, wenguè, elm), one a smooth one (white). Top sides feature 10mm chamfered edges finished with 1.5mm impact resistant ABS whereas the ends come with 10mm polished aluminium trims recessed into the desk surface.

Lacquered tops

18mm white melamine faced chipboard (MFC). Top sides feature 10mm chamfered edges finished with 1.5mm impact resistant ABS whereas the ends come with 10mm polished aluminium trims recessed into the desk surface. The upper and lower top surface as well as the ABS edges come with scratch/abrasion resistant matt lacquer coating in 17 finish options.

Glass tops

10mm fingerprint-proof back-painted tempered glass with a satin white finish. Polished edges and radius corners. Floating top on 12mm polished stainless steel spacers.

Frame

Available in two distinct leg styles, goalpost or loop. Legs feature a 94x30mm pentagon-shaped profile made of 2mm thick steel with two (goalpost) or four (loop) welding joints. Available in two finish options, either chrome or matt white scratch resistant epoxy powder coating. Underdesk metal beams are made of 100x40mm 1.5mm thick epoxy powder coated steel hollow tubes secured to the legs using metric-threaded screws. Steel adjustable levelling feet with round Abs molded scratch-resistant base (0-12mm on goalpost and 0-20mm on loop legs).

CABLE MANAGEMENT

All 1400mm deep table tops feature a central 450x120mm cutout to accommodate an extruded polished aluminium flap complete with two brush strips. Under the flap, which opens on two sides, is a 450Wx120Dx110H steel tray for access to cables and ports. The tray is open ended to easily route cables down to floor level.

ACCESSORIES

Modesty panels (optional)

Made of 18mm melamine faced chipboard (MFC) available in the same four finish options as the tops. L-shaped holding brackets made of 2mm epoxy powder coated steel.

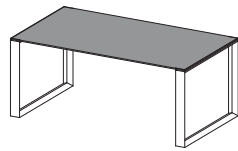
Horizontal cable management (optional)

150mm deep x 70mm high cable basket for desks and for 2800W or longer tables made of ø3mm and ø5mm epoxy powder coated steel wire. The tilting/demountable basket allows for easy access to cables and ports.

Vertical cable management (optional)

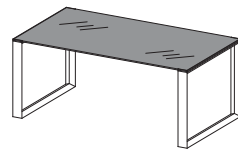
Flexible cable spine made of fifteen steel spirals complete with a fitted brush lining with black polypropylene bristles. 90mm outer diameter, 50mm inner diameter. ø120mm weighted base with antislip rubber ring. Both base and top made of chrome finished zamak. The top screws to the underside of desk/table using three self-threading screws. The cable spine is 180mm high when folded together whereas it can go up to maximum 1100mm in height when fully stretched.

Desk and meeting table worktops



V - Glass

ME - Melamine



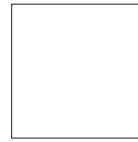
H - MATT WHITE



OL - ELM



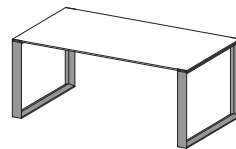
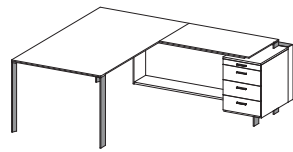
BA - WHITE



WE - WENGÉ NO - CANALETTO WALNUT



Desk and meeting table leg Lift-up flap

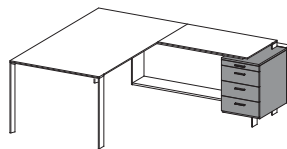
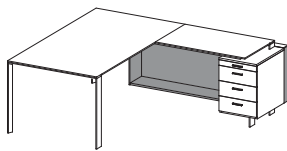


M - Metal

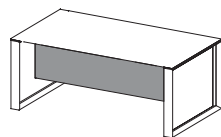
C - CHROME



O - MATT WHITE RAL 9010



Cabinet and static pedestal Modesty panel



ME - Melamine

OL - ELM



BA - WHITE



WE - WENGÉ NO - CANALETTO WALNUT



Standard metal handle

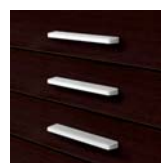
Zen



_chrome (Y)

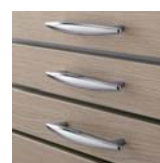
Optional metal handle

Zen



_white (A)

Pop



_chrome (K)

Finishes

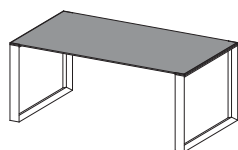
LA - Matt lacquered

PRODUCTION LEAD TIME: 5 WEEKS; STANDARD LACQUERED FINISHES, ANY RAL COLOR AVAILABLE ON DEMAND



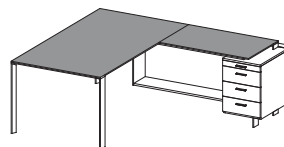
Surcharges for lacquered components

Please add the surcharge to the selected code



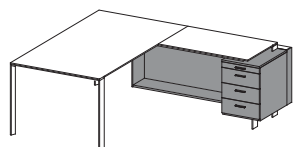
L01 - Desk worktop

180x100 +pts 238
200x100 +pts 265
220x100 +pts 292



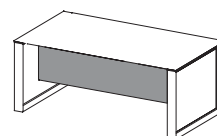
**L02 - Desk worktop and
RH/LH return unit worktop**

190x210 +pts 317
210x210 +pts 344
230x210 +pts 371



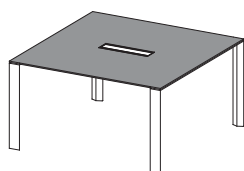
**L04 - Storage compartment
and pedestal**

+pts 596



L08 - Modesty panel

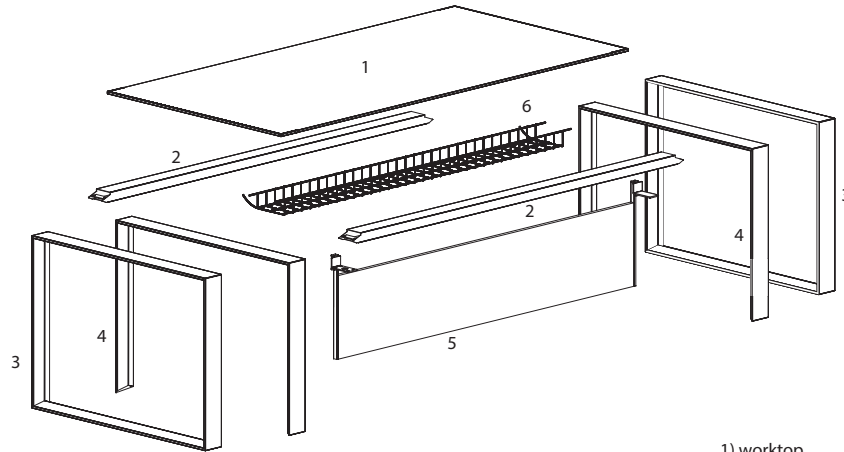
180 +pts 96
200 +pts 109
210 +pts 123



L07 - Meeting table worktop (1 unit)

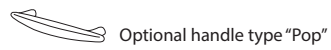
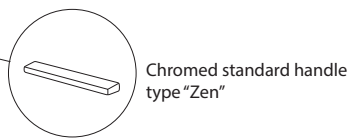
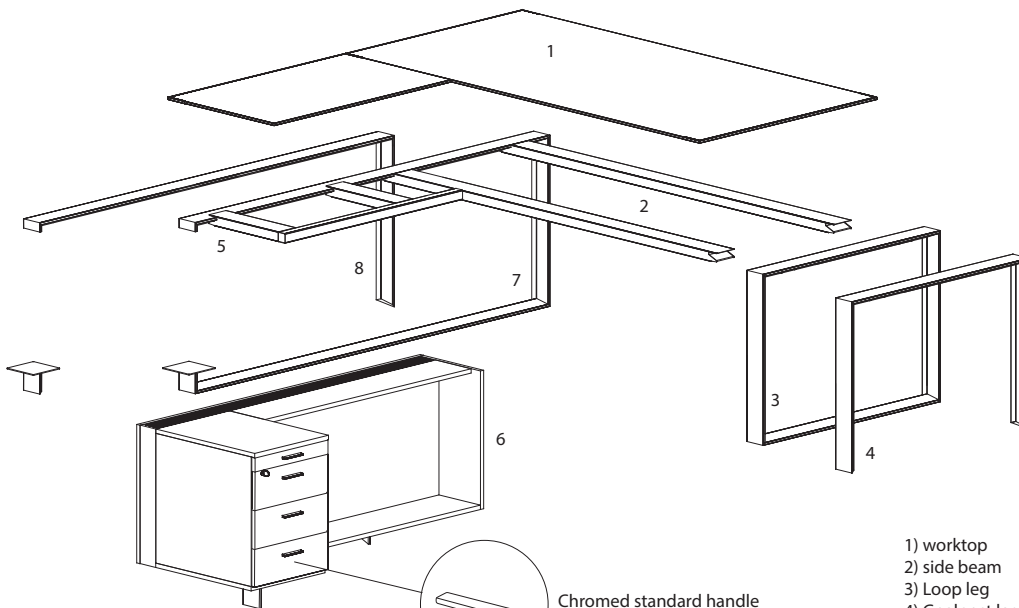
140x140 +pts 259
160x140 +pts 296

FREE STANDING DESK



- 1) worktop
- 2) side beam
- 3) Loop leg
- 4) Goalpost leg
- 5) modesty panel
- 6) cable basket

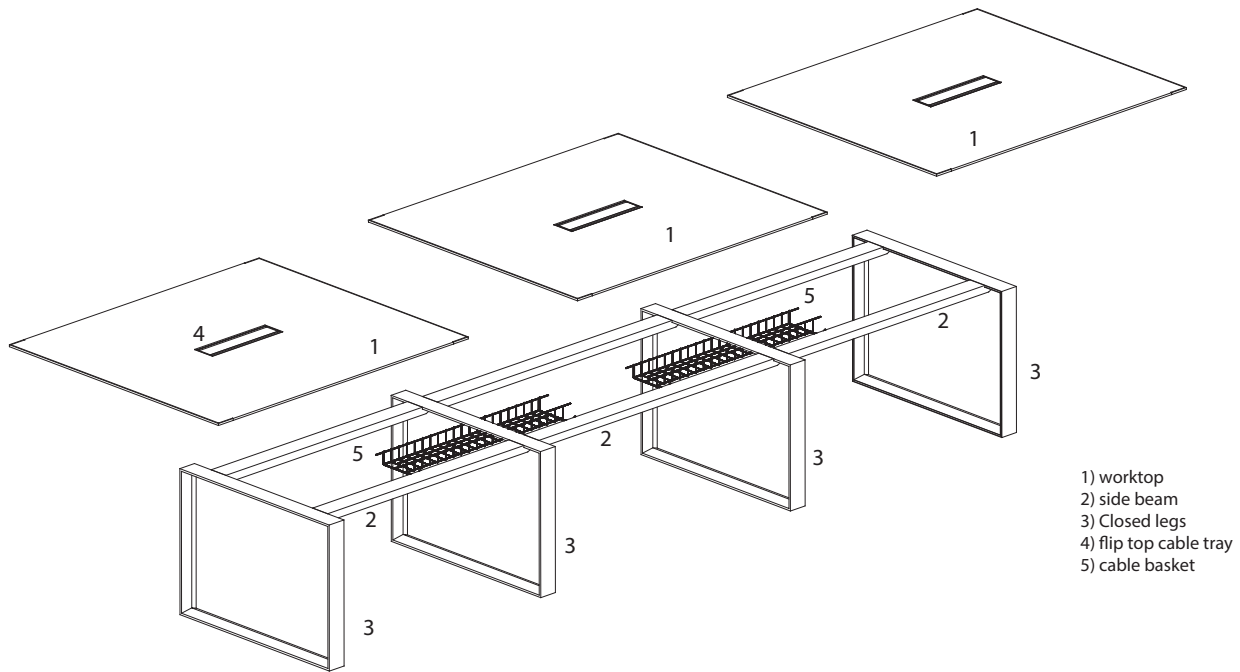
DESK CONFIGURATION WITH CABINET AND STATIC PEDESTAL



- 1) worktop
- 2) side beam
- 3) Loop leg
- 4) Goalpost leg
- 5) Return unit beam
- 6) Cabinet and static pedestal with 3-drawer + pen tray
- 7) Shared Closed leg to support storage compartment
- 8) Shared Open leg to support storage compartment

Technical features

BOARDROOM TABLE CONFIGURATION - LOOP LEGS



BOARDROOM TABLE CONFIGURATION - GOALPOST LEGS

