

Technical description



Technical description

1. Panels

1.1. Classic U/Z/L mobile panels

Structure made of HDF board, thickness 2,5 mm, fully upholstered with fabric cover, glued with foam on the internal side. The cover has vertical stitching in the places where panel is divided into front part and side parts.

Overall panel thickness 10 mm.

Panel is equipped with transparent glides enabling cable management.

Countertop panel, no assembly required.

1.2. Lamella mobile panels

Structure made of HDF board, thickness 2,5 mm, fully upholstered with fabric cover, glued with foam on the internal side. The cover has vertical stitching in folding places, lamellas width 110 mm.

Overall panel thickness 10 mm.

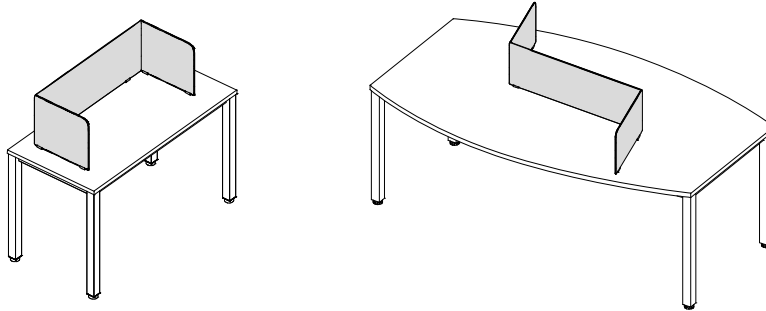
Panel is equipped with transparent glides enabling cable management.

Countertop panel, no assembly required.

Note: Panels design allows for multiple, flexible change in shape fitted to the user's needs.

1.3. Product range

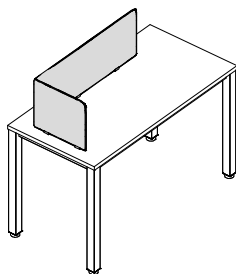
Classic U/Z mobile panels



Front part width	Side part width	Overall height	Overall height
500 mm	2 × 350 mm	445 mm	545 mm
800 mm	2 × 500 mm		
1000 mm	2 × 500 mm		
1200 mm	2 × 500 mm		

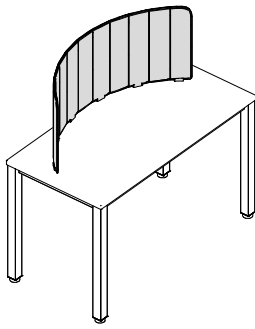
Classic L mobile panels

Universal panel to be arranged in left or right version



Front part width	Side part width	Overall height	Overall height
1000 mm	500 mm	445 mm	545 mm
1200 mm			

Lamella mobile panels



Width	Overall height
1200 mm (11 lamellas)	445 mm
1750 mm (16 lamellas)	

2. Office wall

2.1. Lamella wall

Structure made of HDF board, thickness 2,5 mm, fully upholstered with fabric cover, glued with foam on the internal side. The cover has vertical stitching in folding places, lamellas width 110 mm.

Overall panel thickness 10 mm.

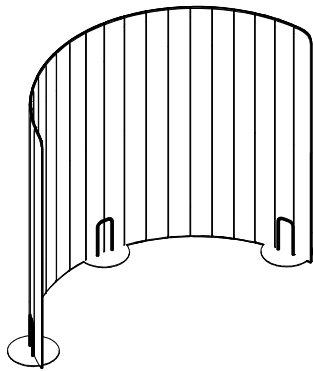
Feet – made of Ø 12 mm steel tube and sheet, thickness 5 mm

Feet finish options:

- powder-coated in Traffic white (RAL 9016), Jet black (RAL 9005) or Slate grey (RAL 7015) colour.

Note: Panels design allows for multiple, flexible change in shape fitted to the user's needs.

2.2. Product range



Width	Overall height
2200 mm (20 lamellas)	1370 mm
3200 mm (29 lamellas)	

3. Panel accessories

Sign for FREE / BUSY panel – double-sided sign, made of 1 mm metal sheet, powder-coated in Traffic White (RAL 9016) colour.

Panel storage rack – designed for storing panels, made of Ø 16 mm steel tube, powder-coated in Traffic White (RAL 9016) Jet black (RAL 9005) or Slate grey (RAL 7015) colour.

One rack can store maximum 5 pieces of different mobile panels.