



PANCA 3-PERSON BENCH

COD.OCLUS302

DESCRIPTION

3-person bench with perforated metal seats and backrests.

NOTE

Accessories: Armrest; Table for seat substitution; Fixed legs.

UNI EN 1022, 1728, 15373, 13761 **CATAS**

SPECIFICATIONS

STRUCTURE

Aluminum finished steel frame 1,2mm

ARMS

Aluminum finished steel

LEGS / FRAME / BASE

Steel tube legs 90x30x1,5 with aluminum finish

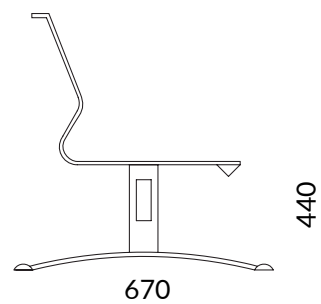
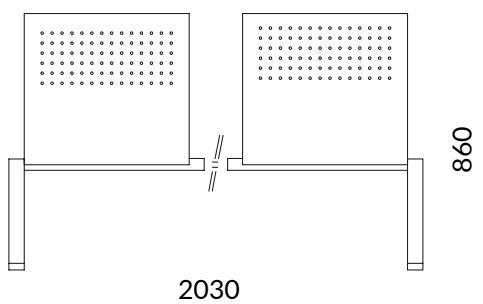
Steel tube beam 80x40x1,5 with aluminum finish

SIZE

bench
L 2030 H 860 D 670

seat
L 490 H 440 D 440

backrest
L 490 H 475



WEIGHT

Net weight: 42 Kg
Gross weight: 45 Kg

PACKAGING

2 packages

VOLUME

M3 box: 0,4

COD.OCLUS302

TECHNICAL
DATASHEET

Dimensions in millimeters