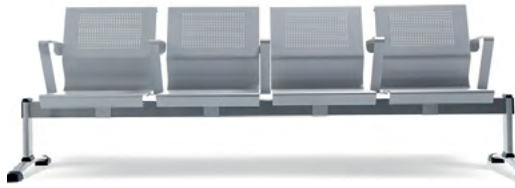


# CLUSTER 2-PERSON BENCH

COD.OCLUS202



## DESCRIPTION

2-person bench with perforated metal seats and backrests.

## NOTE

Accessories: Armrest; Table for seat substitution; Fixed legs.  
UNI EN 1022, 1728, 15373, 13761 **CATAS**

## SPECIFICATIONS

---

### STRUCTURE

Aluminum finished steel frame 1,2mm

### ARMS

Aluminum finished steel

### LEGS / FRAME / BASE

Steel tube legs 90x30x1,5 with aluminum finish  
Steel tube beam 80x40x1,5 with aluminum finish

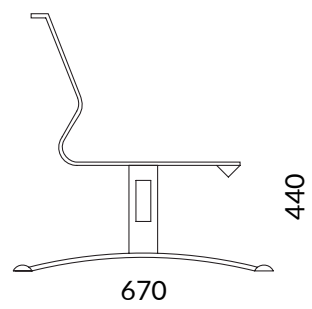
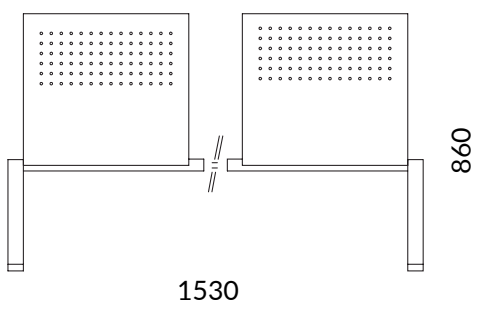
## SIZE

---

**bench**  
L 1530 H 860 D 670

**seat**  
L 490 H 440 D 440

**backrest**  
L 490 H 475



### WEIGHT

Net weight: 29 Kg  
Gross weight: 32 Kg

### PACKAGING

2 packages

### VOLUME

M3 box: 0,4

COD.OCLUS202

TECHNICAL  
DATASHEET

Dimensions in millimeters